

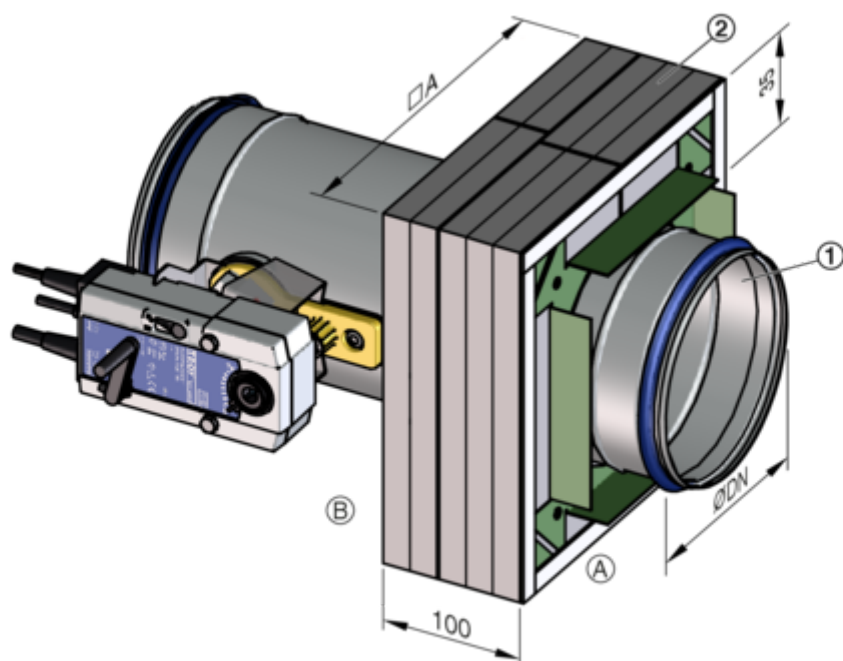
<b>1</b>	<b>Installation kit WE 2</b> .....	<b>2</b>
1.1	Scope of delivery .....	2
1.2	Mounting on the fire damper .....	3
1.3	Components to be provided on site .....	4
1.4	Special tools .....	5
<b>2</b>	<b>Installation away from solid walls</b> .....	<b>6</b>
2.1	Overview - Wall attachment .....	6
2.2	Overview - Wall duct .....	7
2.3	Assembly - wall attachment .....	8
2.3.1	Installation kit WE2 4-sided .....	8
2.3.2	Installation kit WE2 3-sided .....	13
2.3.3	Installation kit WE2 2-sided .....	18
2.4	Assembly - wall duct .....	23
2.4.1	Installation kit WE2 4-sided .....	23
2.4.2	Installation kit WE2 3-sided .....	29
2.4.3	Installation kit WE2 2-sided .....	34
<b>3</b>	<b>Installation away from metal stud walls</b> .....	<b>39</b>
3.1	Overview - Wall duct .....	39
3.2	Assembly - wall duct .....	40
3.2.1	Installation kit WE2 4-sided .....	40
3.2.2	Installation kit WE2 3-sided .....	47
3.2.3	Installation kit WE2 2-sided .....	53
<b>4</b>	<b>Index</b> .....	<b>59</b>

# Installation kit WE 2

Scope of delivery

## 1 Installation kit WE 2

### 1.1 Scope of delivery



GR2788791, A

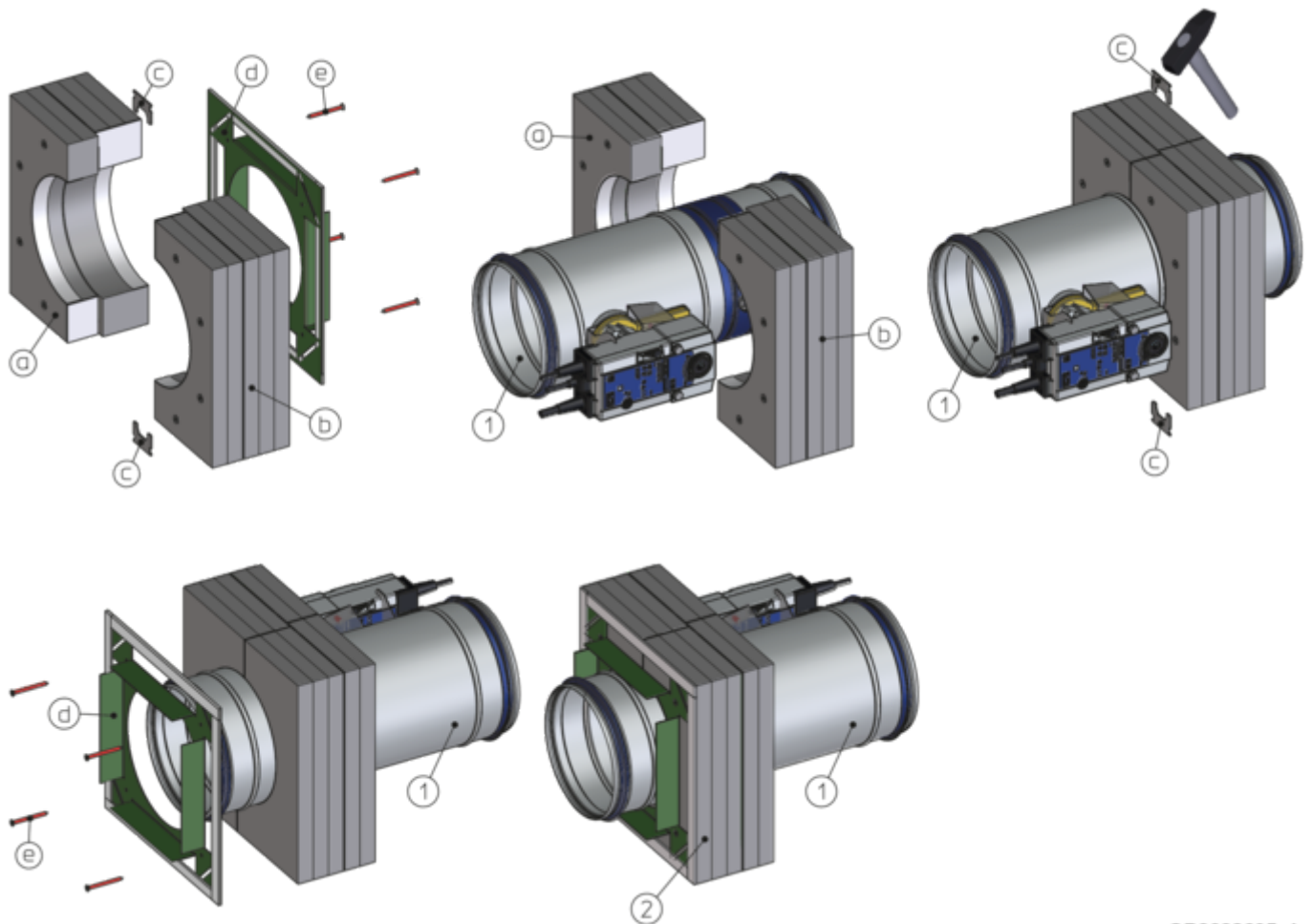
Fig. 1: FKRS-EU with installation kit WE2

- A Installation side
- B Operating side

Installation kit dimensions [mm]										
Nominal size	100	125	150	160	180	200	224	250	280	315
ØDN	99	124	149	159	179	199	223	249	279	314
□A	Nominal size + 100 mm									

Scope of delivery		
Position	Name	Properties
1	Fire damper	The installation kit WE2 is delivered separately and mounted on the fire damper on site (also possible for subsequent delivery for FKRS-EU with Declaration of Performance from DoP/FKRS-EU/DE/004).
2	Installation kit WE 2	

## 1.2 Mounting on the fire damper



GR3632695, A

Fig. 2: Scope of delivery and assembly Installation kit WE2 for dry installation

- |   |                                      |   |   |
|---|--------------------------------------|---|---|
| 1 | FKRS-EU fire damper                  | c | Connecting clamp (2 ×)                            |
| 2 | Installation kit WE2, consisting of: | d | Sheet metal cover plate with Kerafix sealing tape |
| a | Half shell 1                         | e | Dry wall screw                                    |
| b | Half shell 2                         |   |   |

### Mounting installation kit WE2

1. ▶ Place half shells (a) and (b) of the installation kit (2) around the FKRS-EU and fix them with two connecting clamps (c) (axis position of the FKRS-EU is arbitrary). Carefully drive in the connecting clamps bit by bit using a hammer, turning the FKRS-EU with installation kit several times if necessary.
2. ▶ On the back of the installation kit (2), fix the sheet metal cover plate (d) using 4 drywall screws (e).

# Installation kit WE 2

Components to be provided on site

## 1.3 Components to be provided on site

 **Note:**

*These instructions supplement the installation and operating manual of the FKRS-EU. The fire-resistant cladding of the air duct as well as the suspensions have to be done in accordance with these instructions, the installation and operating manual as well as the specifications of the panel manufacturer and also construction 478 of the Promat® handbook, current version.*

Components to be provided on site		
Position	Name	Property - Size
3	Mineral wool	Gross density $\geq 80 \text{ kg/m}^3$ , melting point $\geq 1000 \text{ °C}$ , d = 20 mm
4	Cross bar	Mounting rail Hilti MQ 41/3 or equivalent (incl. fixing material)
5	Steel wire clip	63 / 11.2 / 1.53, alternatively coarse thread screw $\geq 5 \times 80 \text{ mm}$
6	Steel wire clip	38 / 10.7 / 1.2
7a	Dry wall screw	3.9 × 45
7b	Dry wall screw	4.2 × 55
8	Promatect-LS35	Cut-to-size pads d = 35 mm
9	Promatect-H	Cut-to-size pads d = 10 mm
10	Hilti HUS 6 Fischer FFS 7.5 × 112	or equivalent (for concrete walls and ceilings), alternatively dowel with M6 screw with fire protection suitability certificate, matched to the respective building material
11	Promat glue K84	
12	Threaded rod	M10
13	Mineral wool	Mineral wool (melting point $\geq 1000 \text{ °C}$ ) or gypsum mortar for compensating unevenness
14	Mortar	according to installation and operating manual FKRS-EU

## 1.4 Special tools



*Fig. 3: Special tools*

All fire protection boards, cuttings and strips must be properly glued, stapled or screwed.

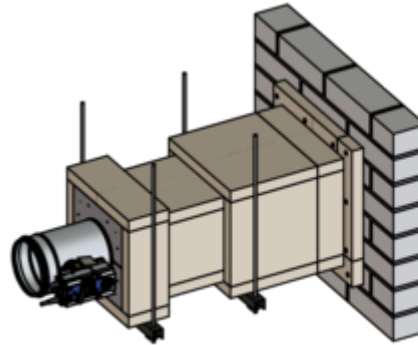
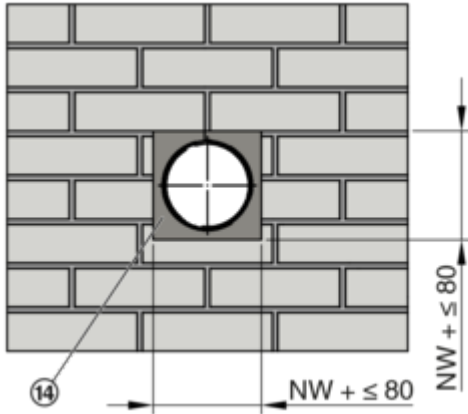
# Installation away from solid walls

Overview - Wall attachment

## 2 Installation away from solid walls

### 2.1 Overview - Wall attachment

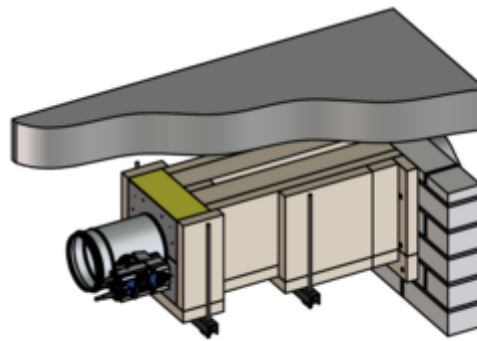
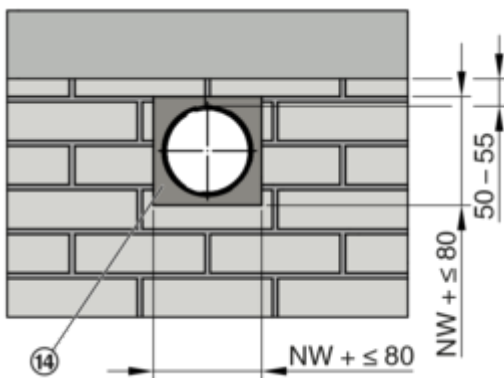
Installation kit WE2 4-sided



GR3478332, A

Fig. 4: Installation detail 1 - 10, see ↗ 8

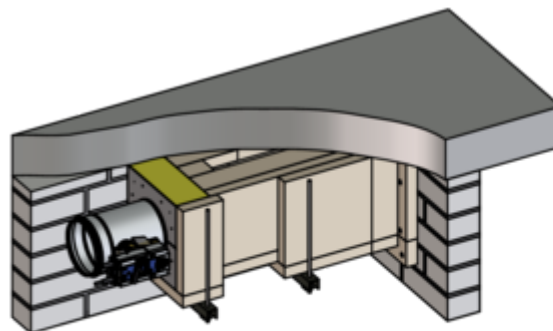
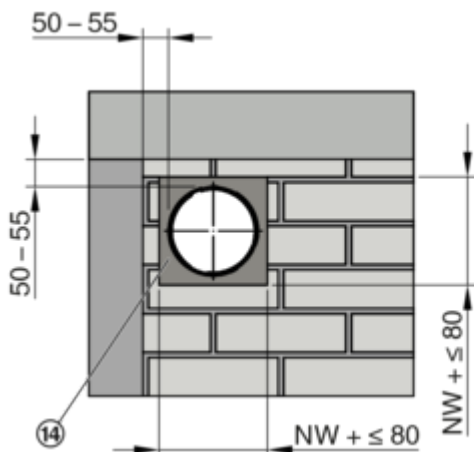
Installation kit WE2 3-sided



GR3478941, A

Fig. 5: Installation detail 11 - 20, see ↗ 13

Installation kit WE2 2-sided

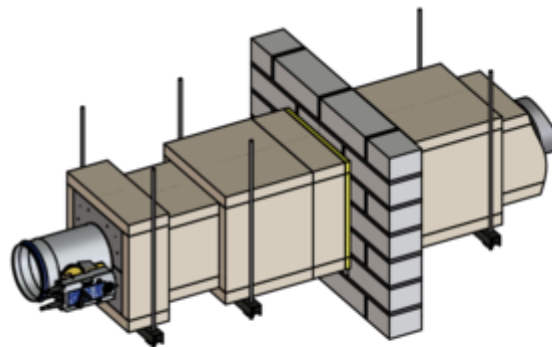
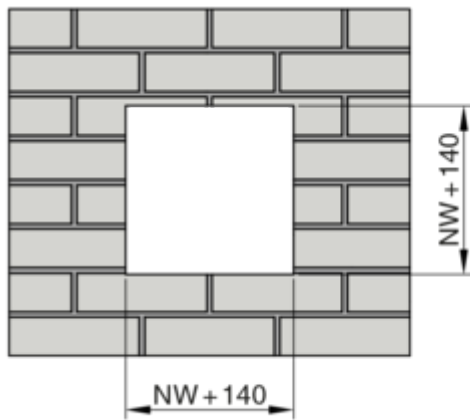


GR3480142, A

Fig. 6: Installation detail 21 - 30, see ↗ 18

## 2.2 Overview - Wall duct

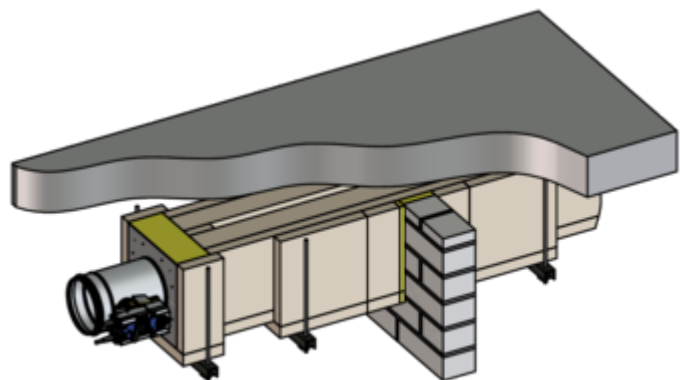
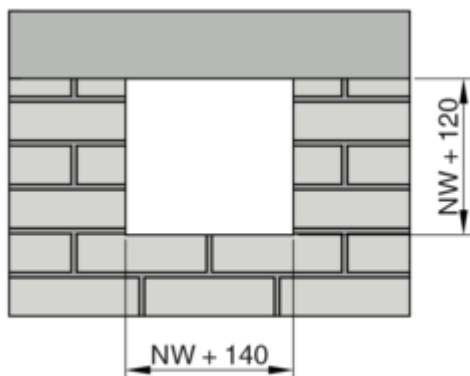
### Installation kit WE2 4-sided



GR3476639, A

Fig. 7: Installation detail 1 - 11, see ☞ 23

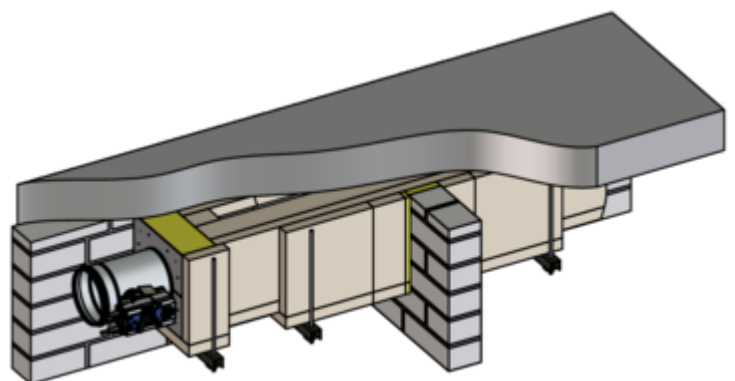
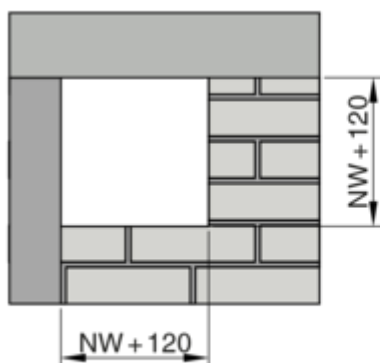
### Installation kit WE2 3-sided



GR3477032, A

Fig. 8: Installation detail 12 - 21, see ☞ 29

### Installation kit WE2 2-sided



GR3477570, A

Fig. 9: Installation detail 22 - 31, see ☞ 34

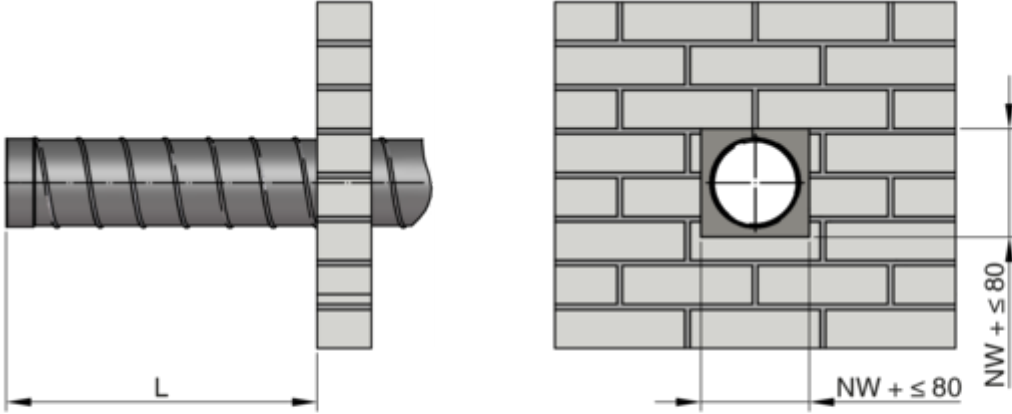
# Installation away from solid walls

Assembly - wall attachment > Installation kit WE2 4-sided

## 2.3 Assembly - wall attachment

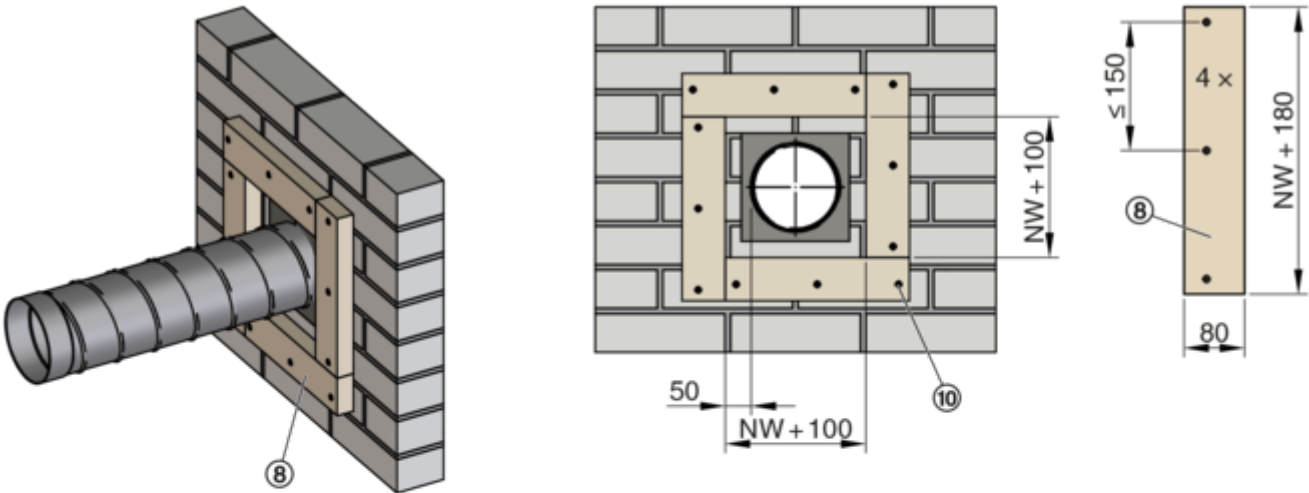
### 2.3.1 Installation kit WE2 4-sided

1



GR3478332, A

2



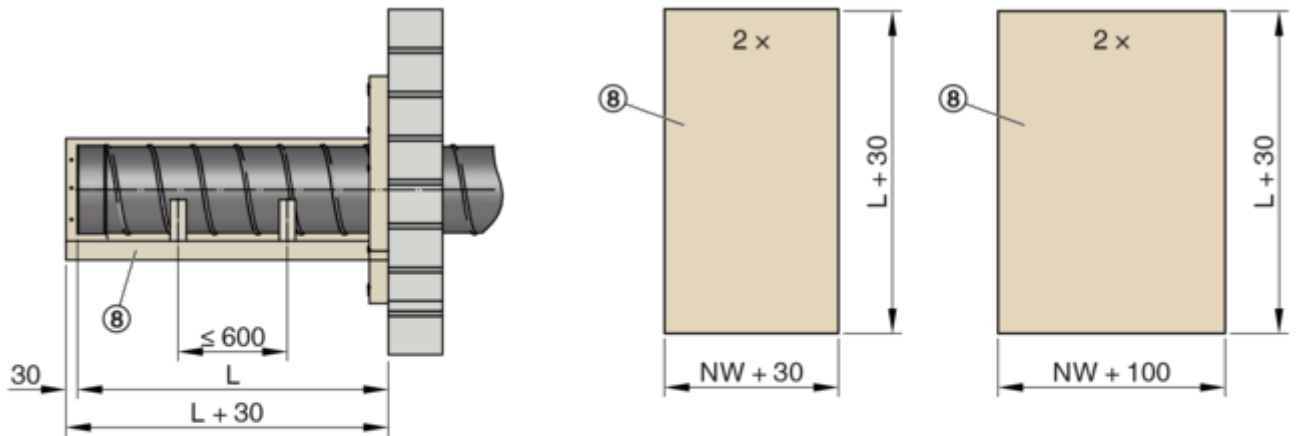
GR3478332, A



# Installation away from solid walls

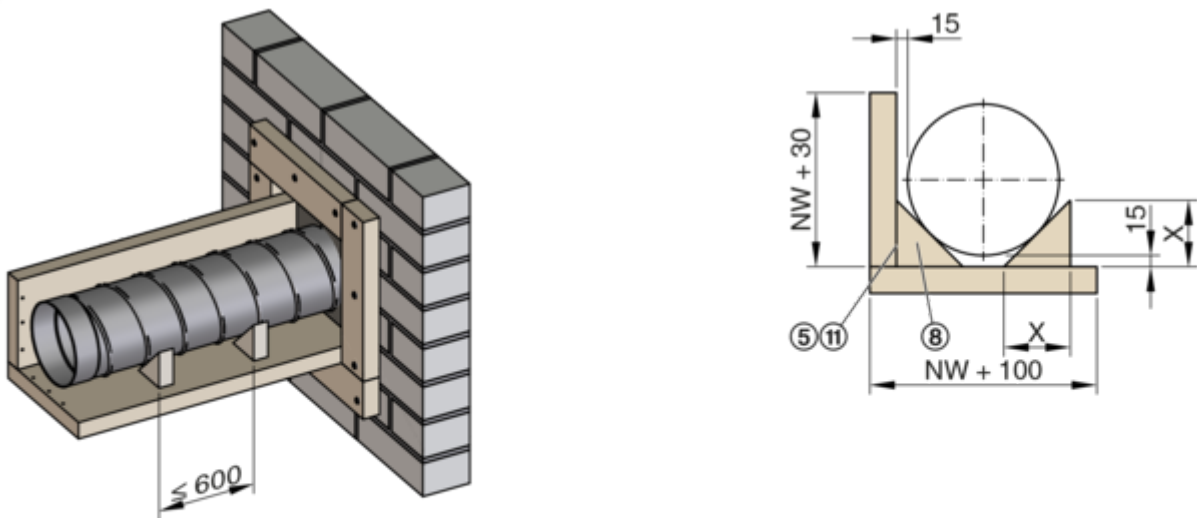
Assembly - wall attachment > Installation kit WE2 4-sided

3



GR3478332, A

4



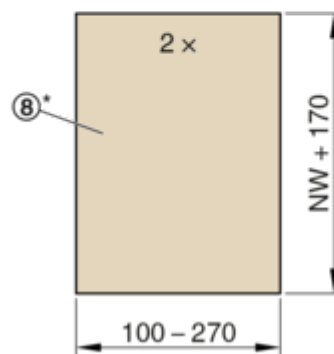
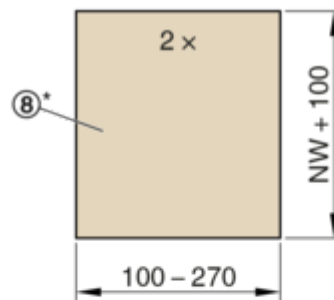
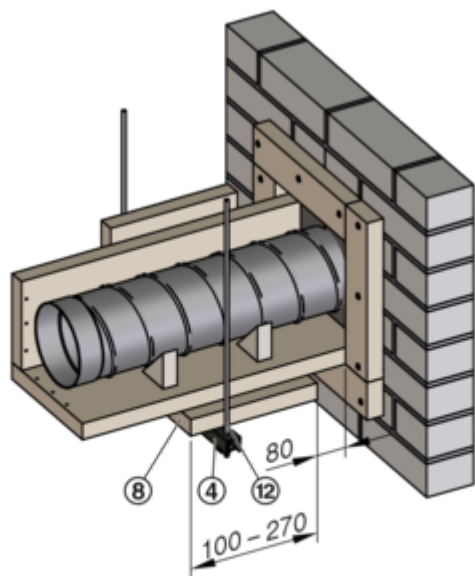
GR3478332, A

Support for air duct [mm]										
Nominal size	100	125	150	160	180	200	224	250	280	315
X	59	66	74	77	82	88	95	103	112	122

# Installation away from solid walls

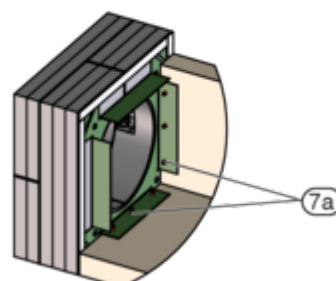
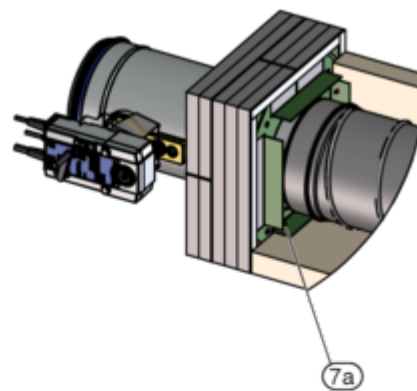
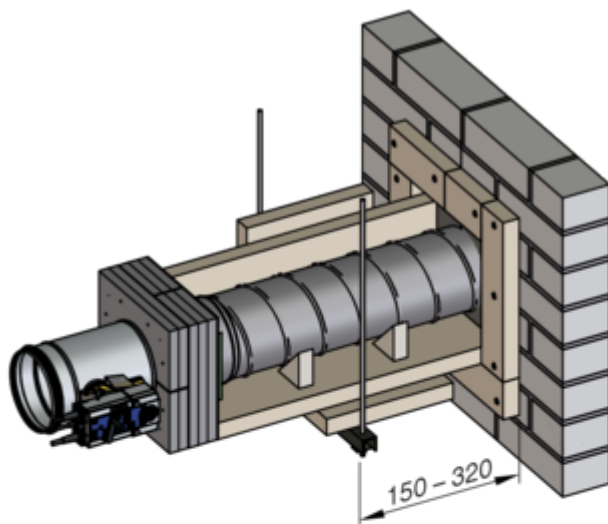
Assembly - wall attachment > Installation kit WE2 4-sided

5



GR3478332, A

6

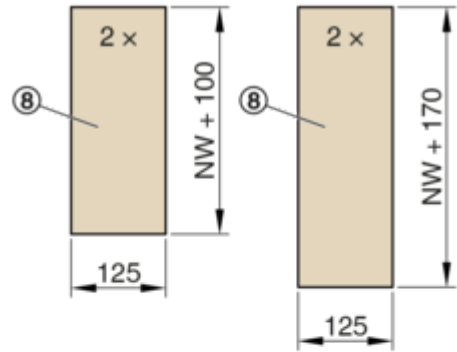
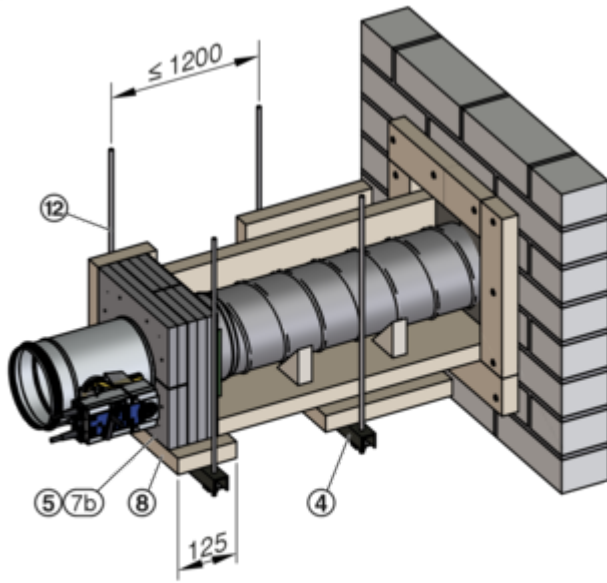


GR3478332, A

# Installation away from solid walls

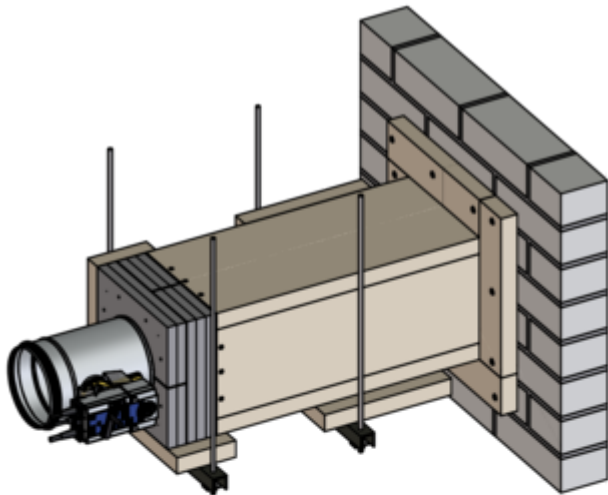
Assembly - wall attachment > Installation kit WE2 4-sided

7



GR3478332, A

8

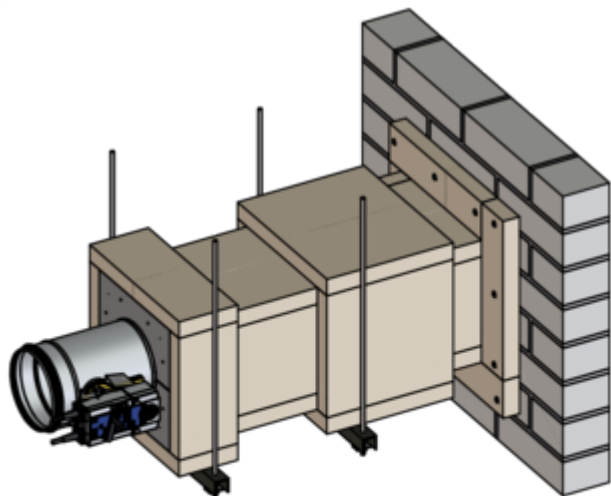


GR3478332, A

# Installation away from solid walls

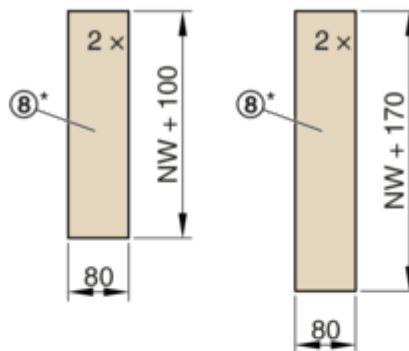
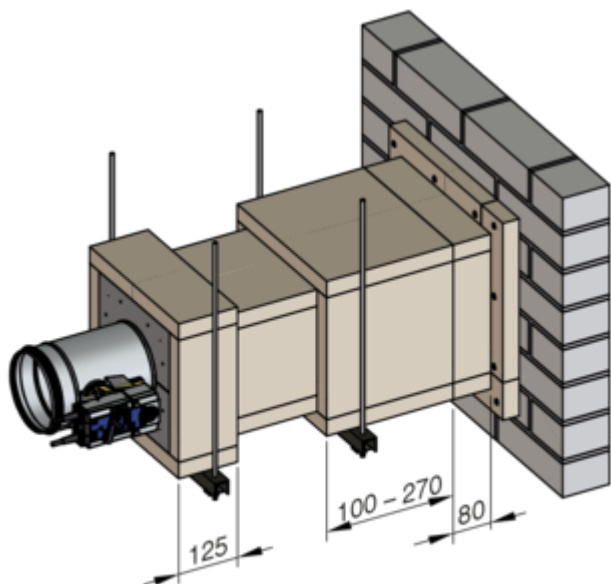
Assembly - wall attachment > Installation kit WE2 4-sided

9



GR3478332, A

10



GR3478332, A

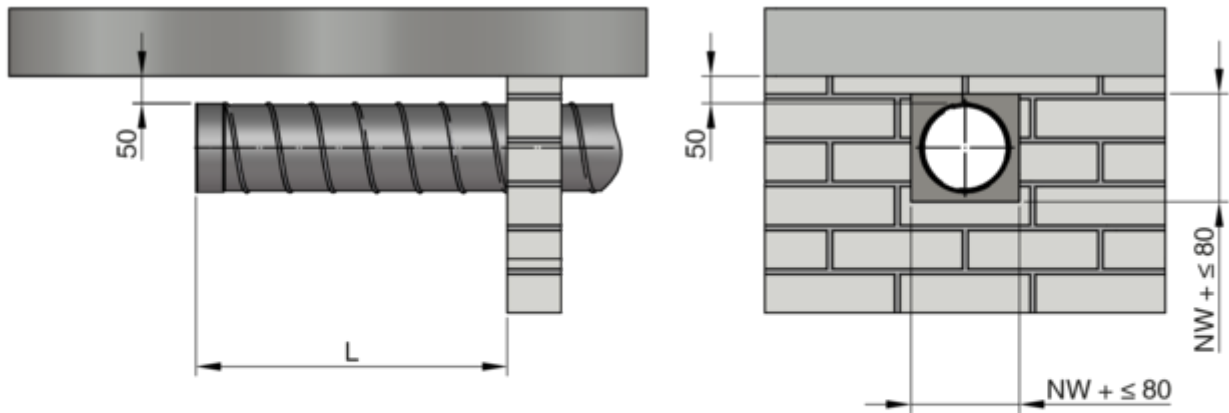
\* The panel blanks (8) from Fig. 5 (width 100 - 270 mm) and Fig. 10 (width 80 mm) may also be produced in one piece with a width of 180 - 350 mm if required.

# Installation away from solid walls

Assembly - wall attachment > Installation kit WE2 3-sided

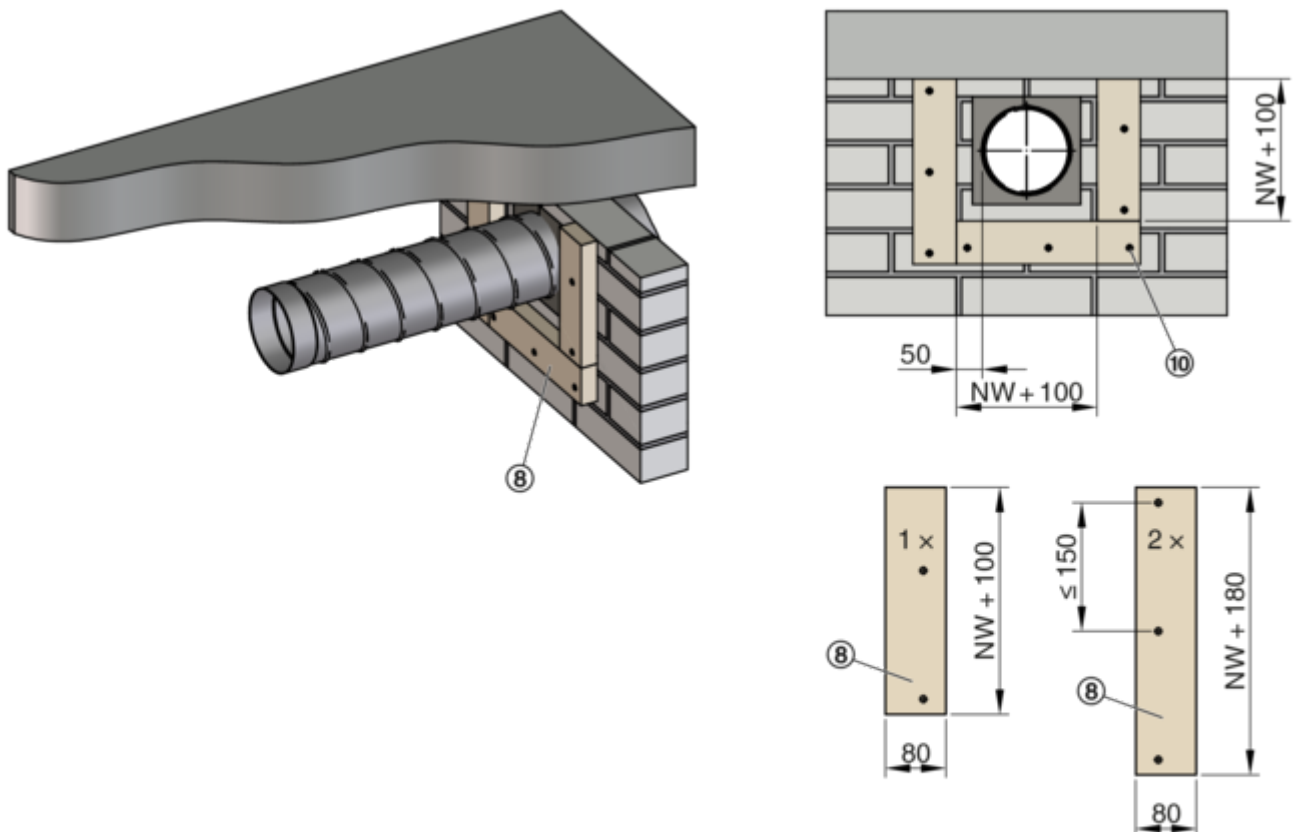
## 2.3.2 Installation kit WE2 3-sided

11



GR3478941, A

12

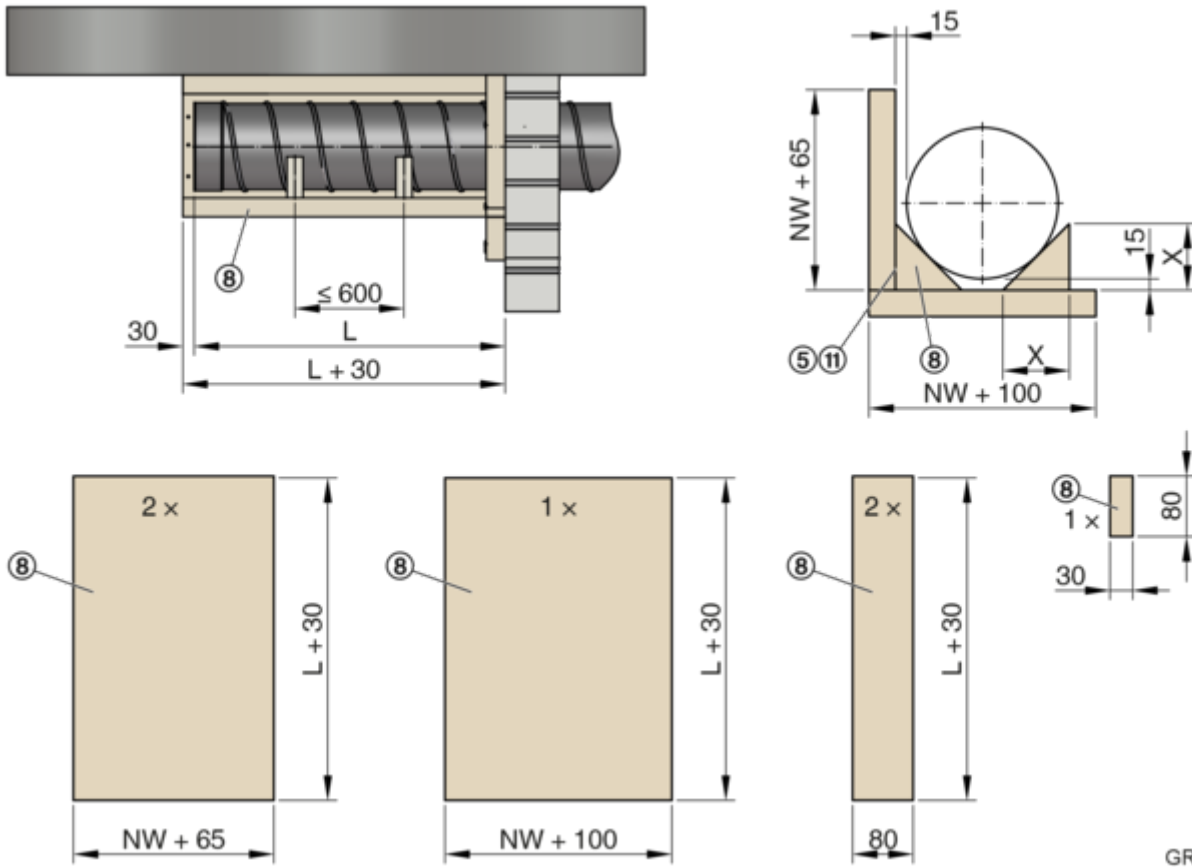


GR3478941, A

# Installation away from solid walls

Assembly - wall attachment > Installation kit WE2 3-sided

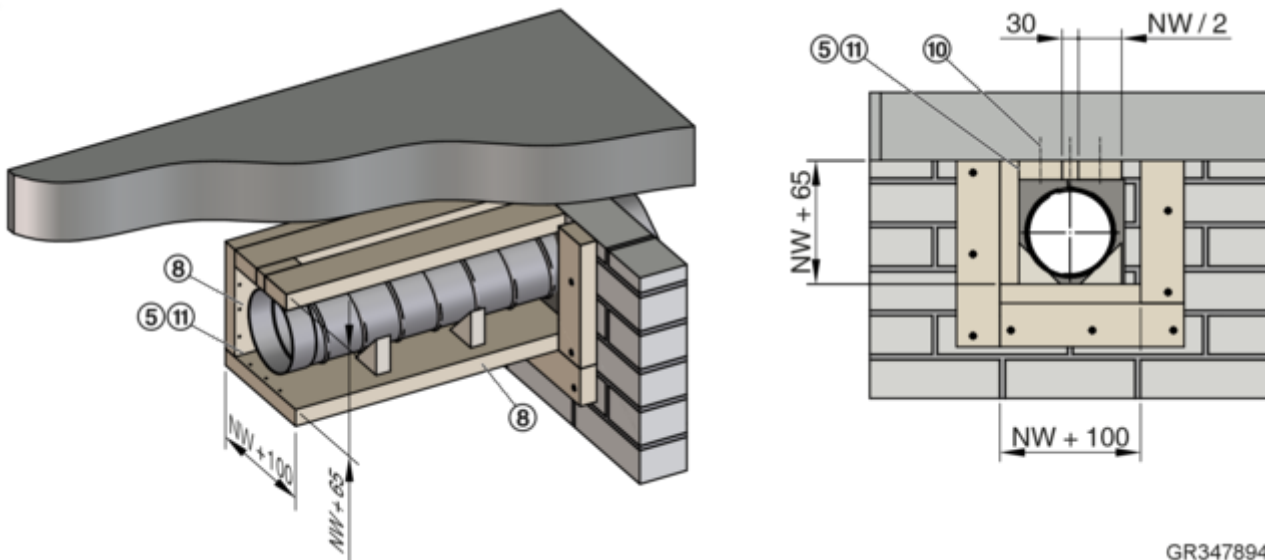
13



GR3478941, A

Support for air duct [mm]										
Nominal size	100	125	150	160	180	200	224	250	280	315
X	59	66	74	77	82	88	95	103	112	122

14

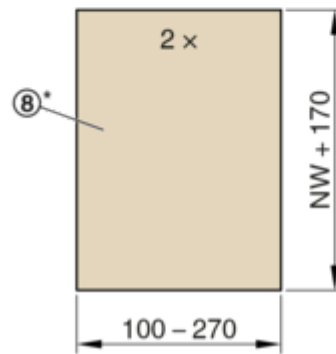
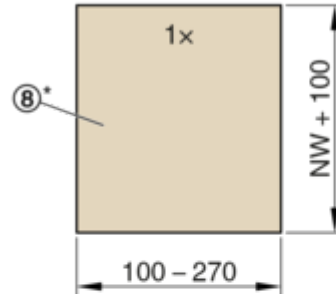
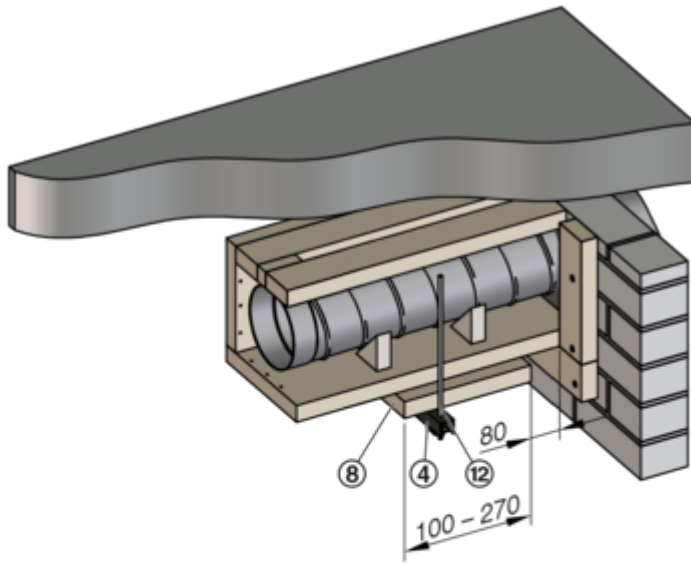


GR3478941, A

# Installation away from solid walls

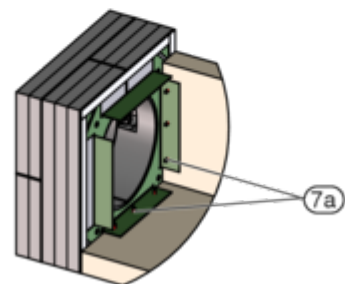
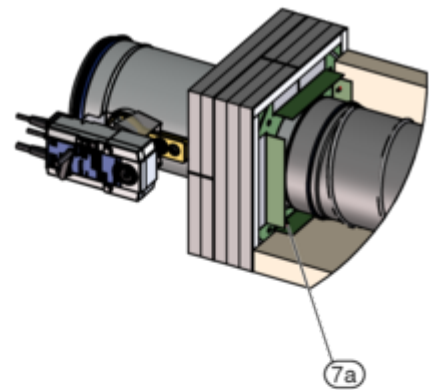
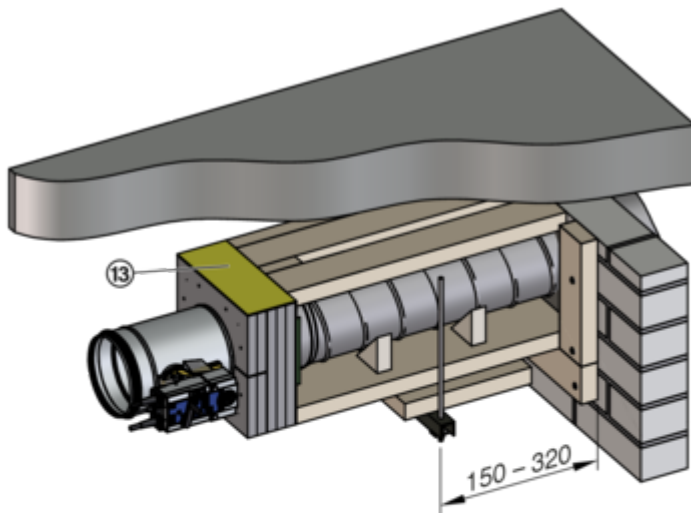
Assembly - wall attachment > Installation kit WE2 3-sided

15



GR3478941, A

16

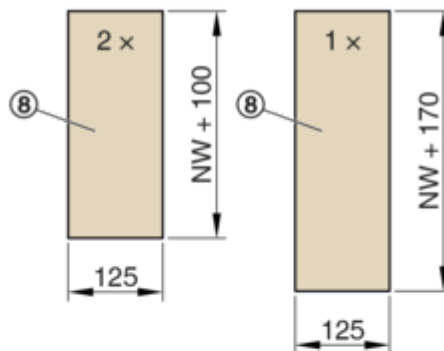
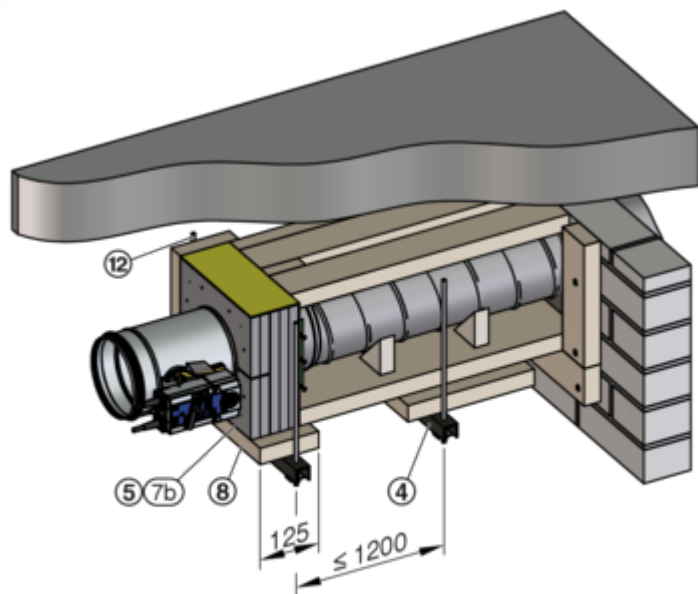


GR3478941, A

# Installation away from solid walls

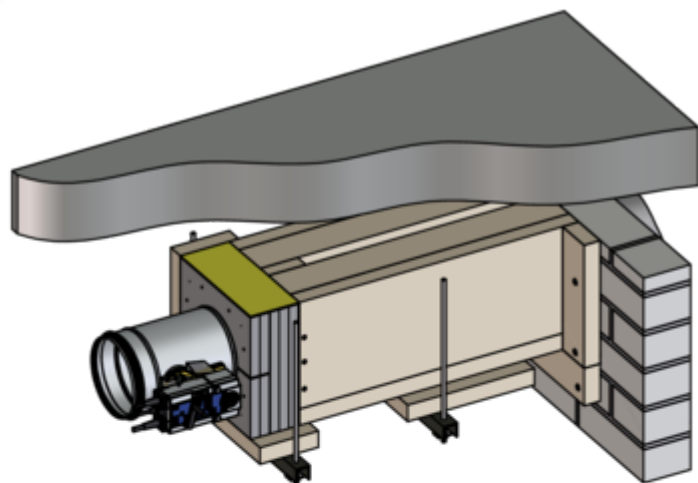
Assembly - wall attachment > Installation kit WE2 3-sided

17



GR3478941, A

18



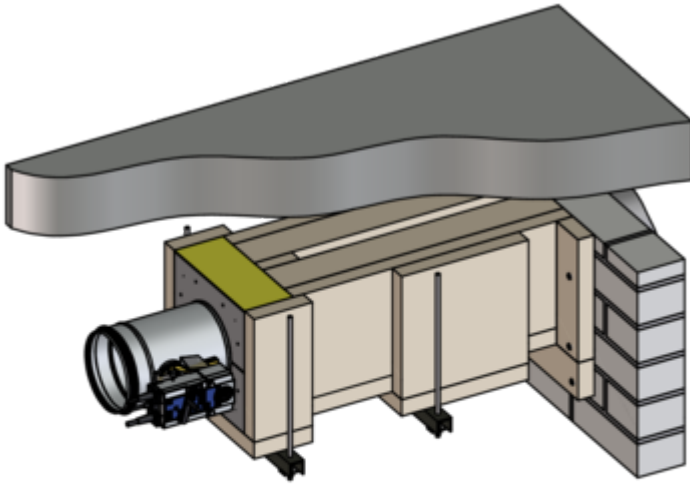
GR3478941, A



# Installation away from solid walls

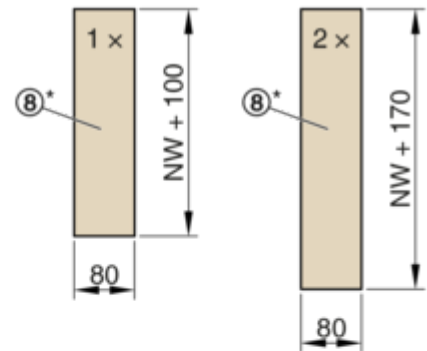
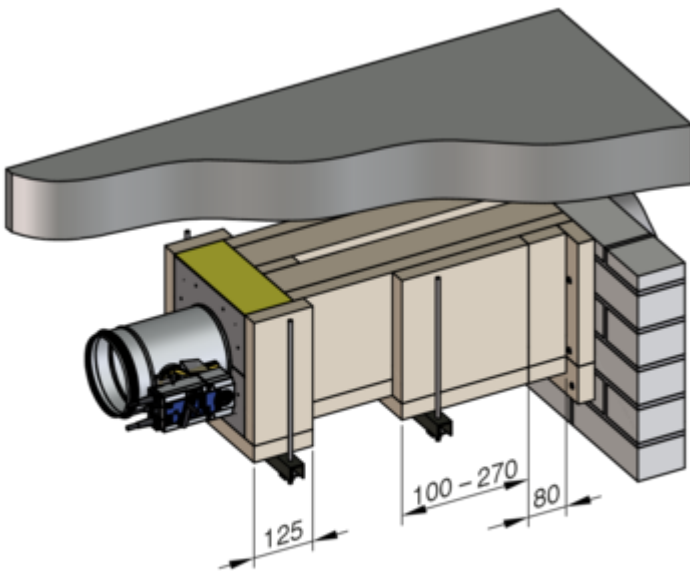
Assembly - wall attachment > Installation kit WE2 3-sided

19



GR3478941, A

20



GR3478941, A

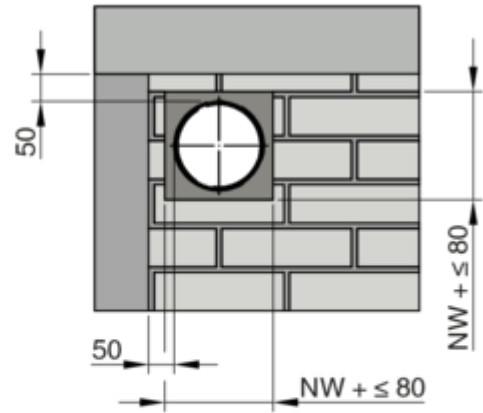
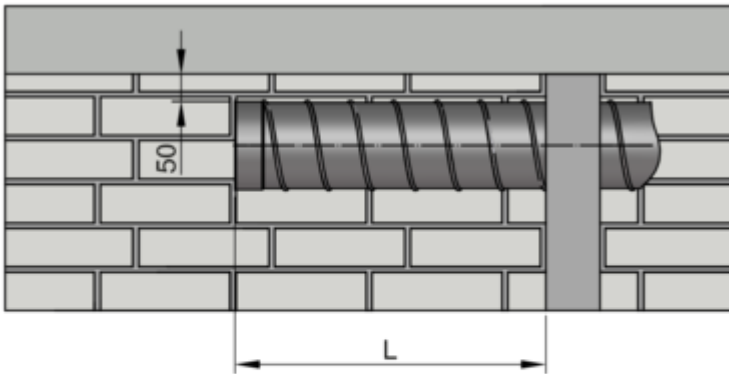
\* The panel blanks (8) from Fig. 15 (width 100 - 270 mm) and Fig. 20 (width 80 mm) may also be produced in one piece with a width of 180 - 350 mm if required.

# Installation away from solid walls

Assembly - wall attachment > Installation kit WE2 2-sided

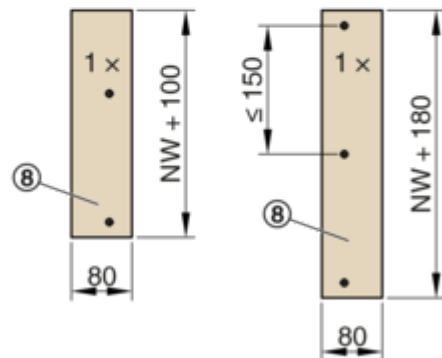
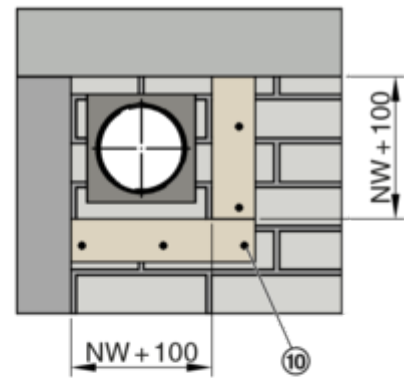
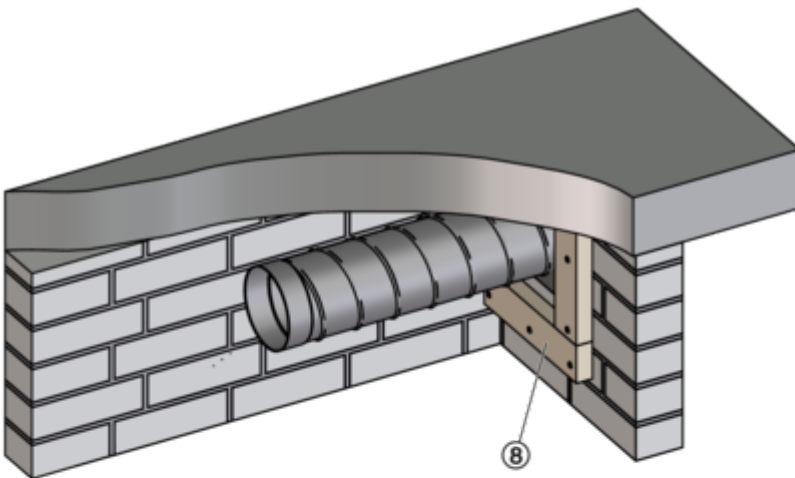
## 2.3.3 Installation kit WE2 2-sided

21



GR3480142, A

22

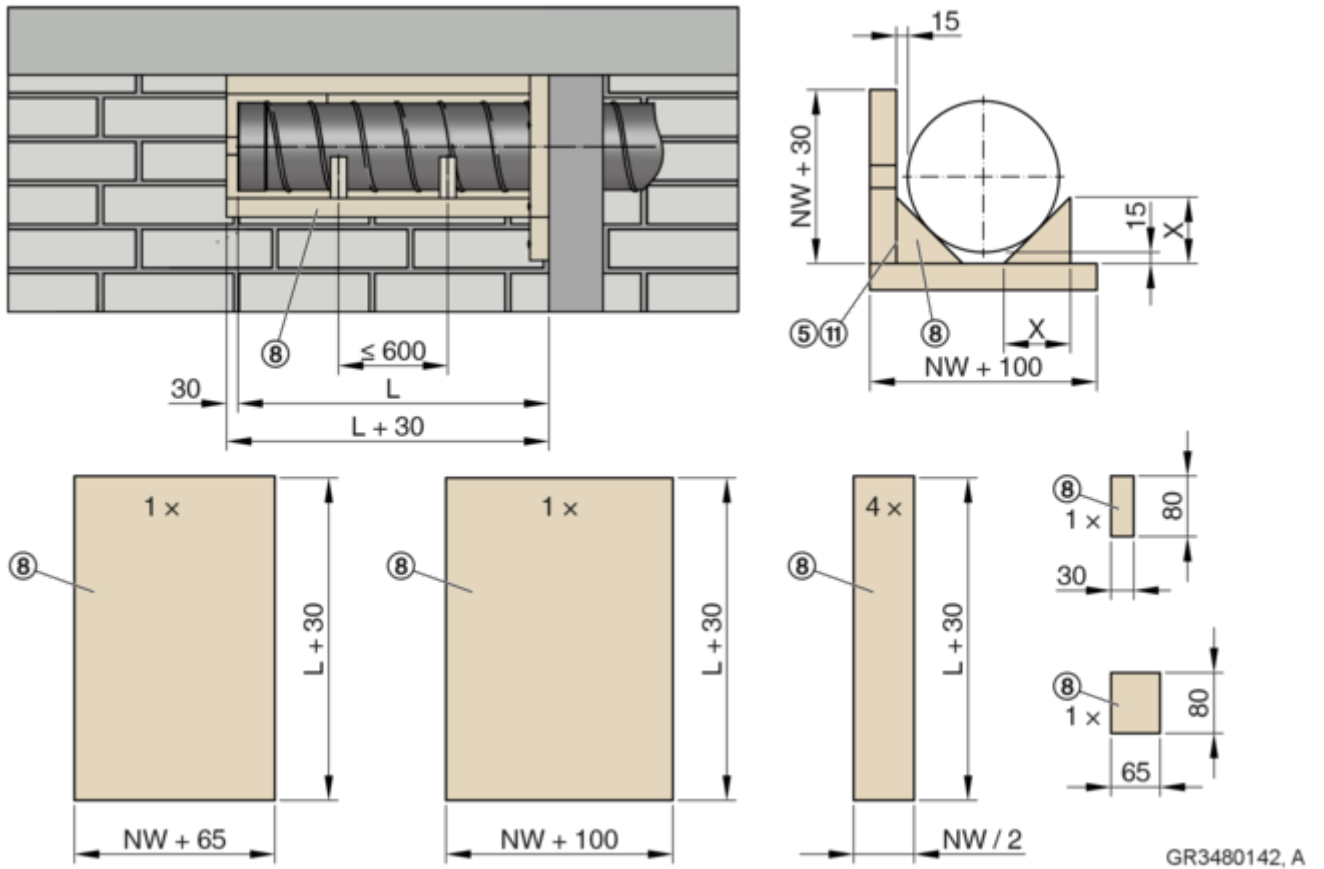


GR3480142, A

# Installation away from solid walls

Assembly - wall attachment > Installation kit WE2 2-sided

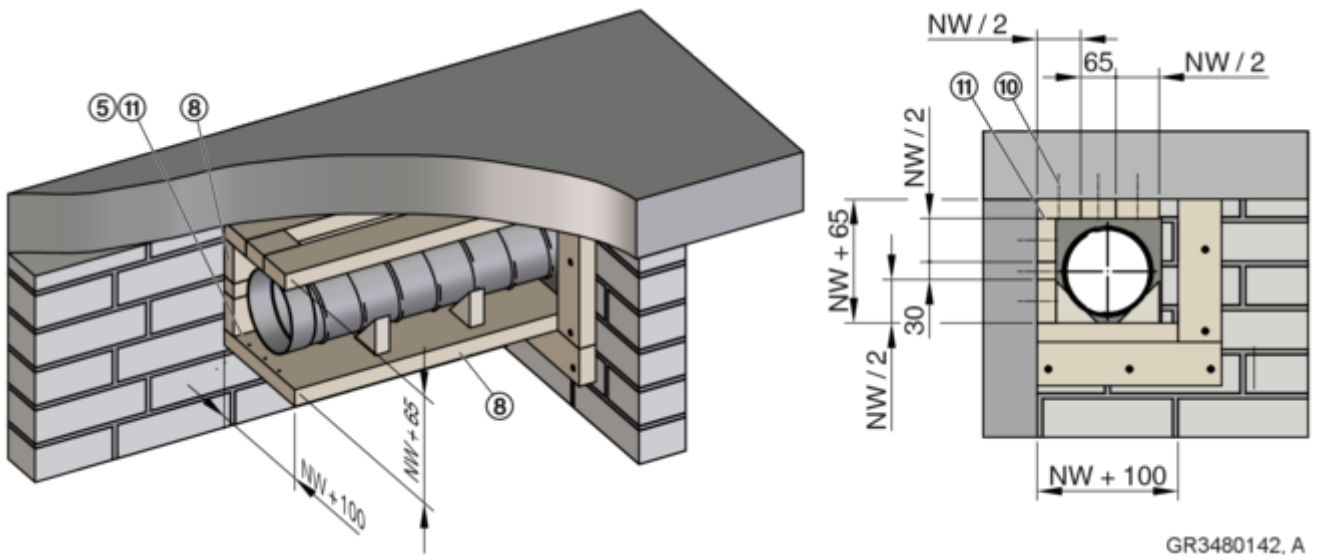
23



Support for air duct [mm]

Nominal size	100	125	150	160	180	200	224	250	280	315
X	59	66	74	77	82	88	95	103	112	122

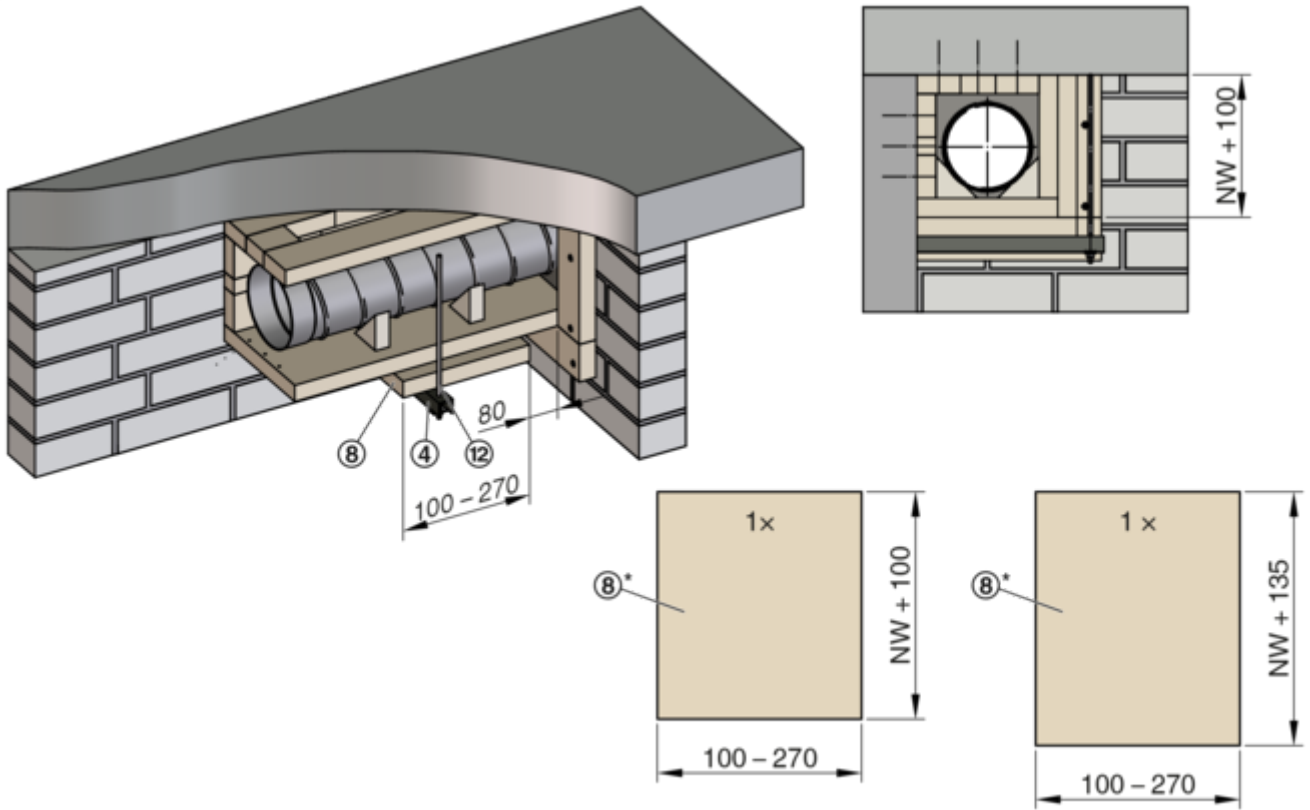
24



# Installation away from solid walls

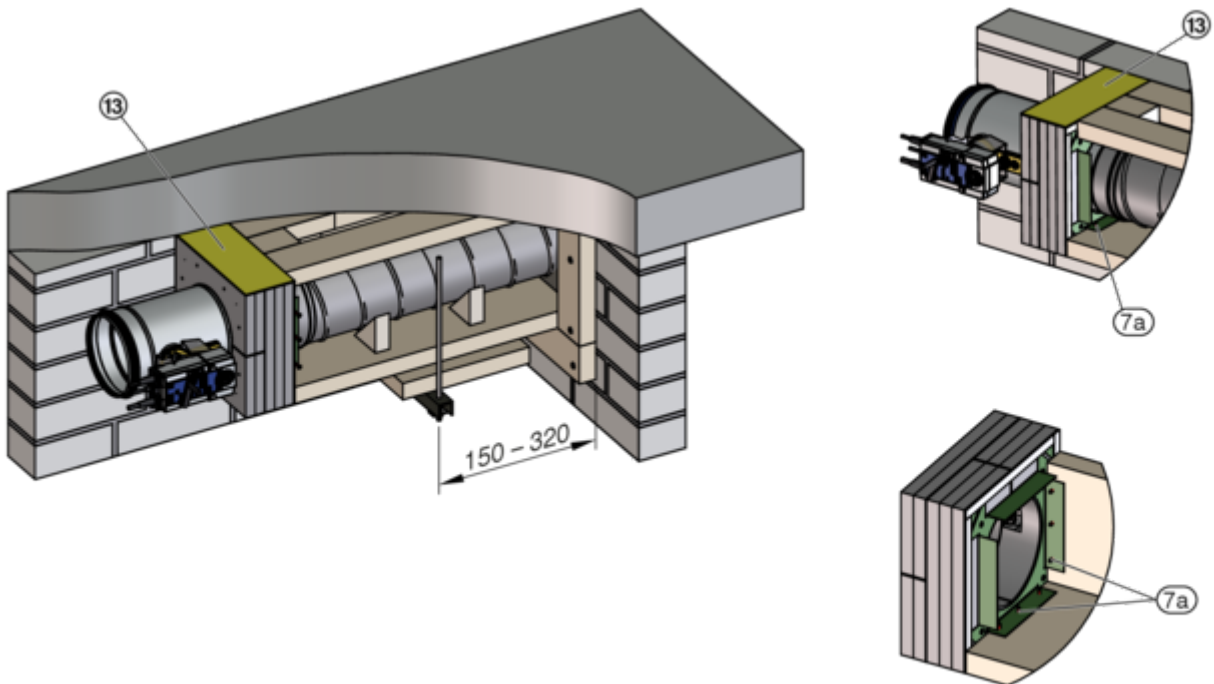
Assembly - wall attachment > Installation kit WE2 2-sided

25



GR3480142, A

26

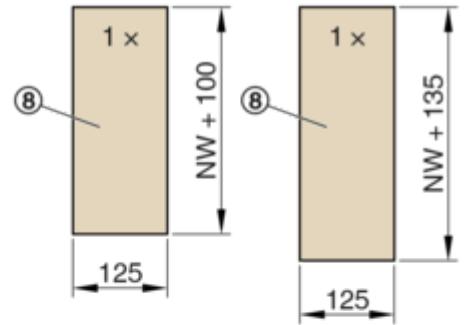
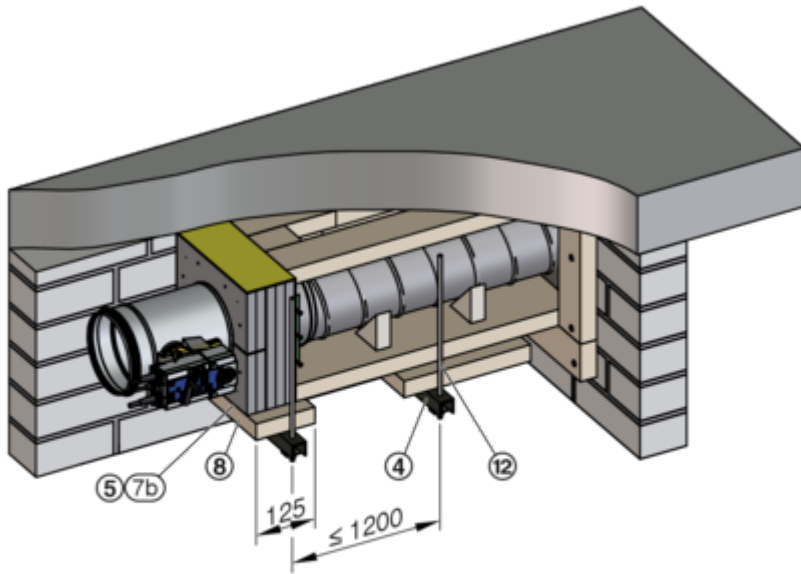


GR3480142, A

# Installation away from solid walls

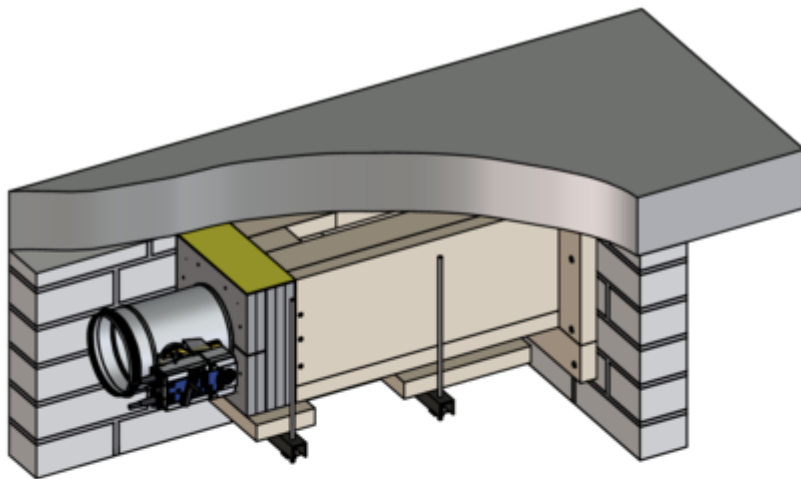
Assembly - wall attachment > Installation kit WE2 2-sided

27



GR3480142, A

28

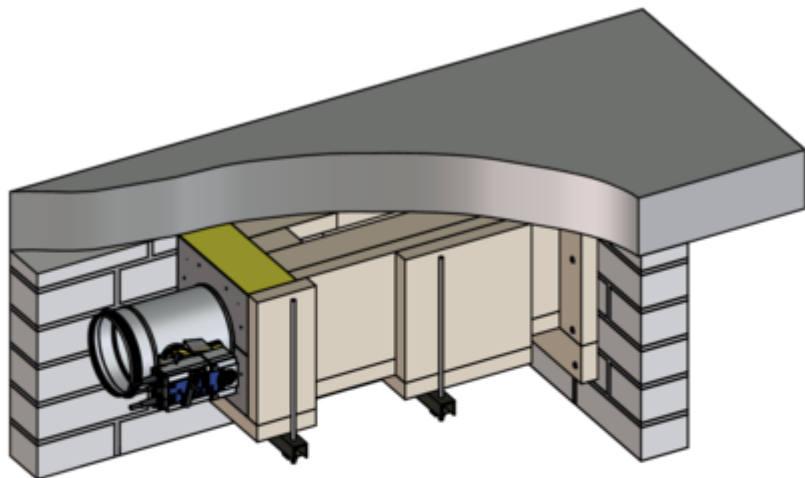


GR3480142, A

# Installation away from solid walls

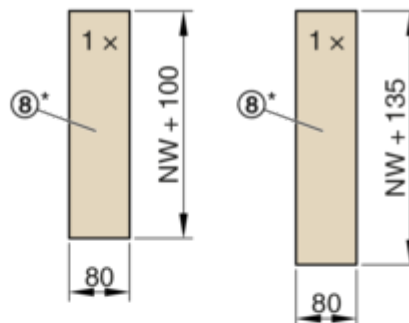
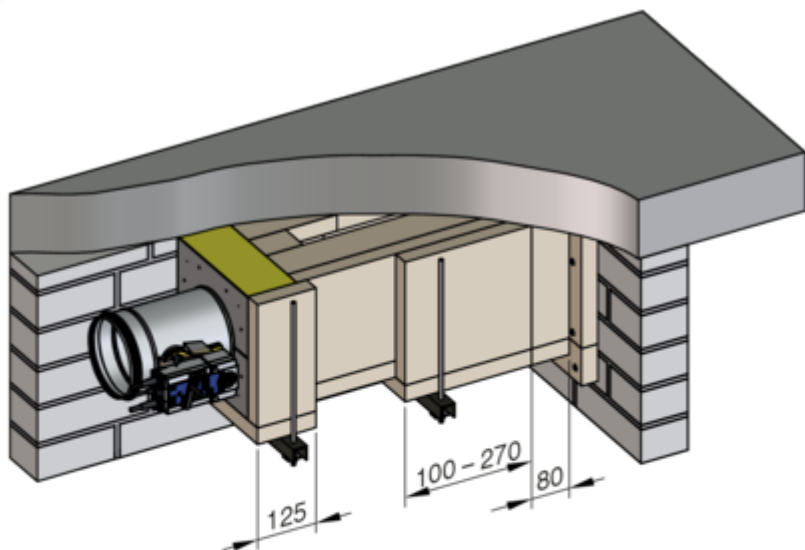
Assembly - wall attachment > Installation kit WE2 2-sided

29



GR3480142, A

30



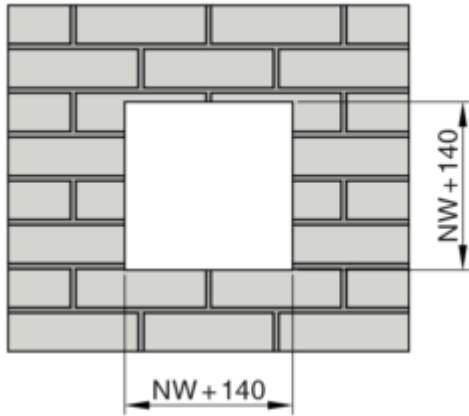
GR3480142, A

\* The panel blanks (8) from Fig. 25 (width 100 - 270 mm) and Fig. 30 (width 80 mm) may also be produced in one piece with a width of 180 - 350 mm if required.

## 2.4 Assembly - wall duct

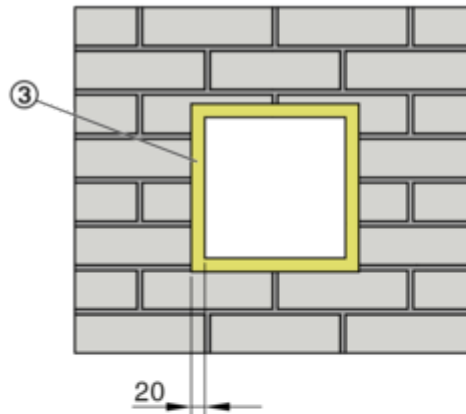
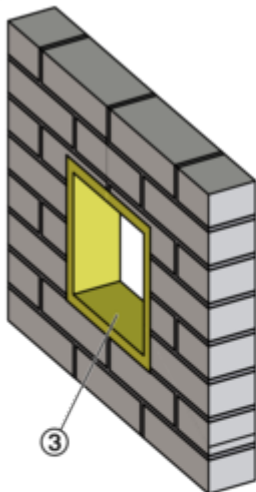
### 2.4.1 Installation kit WE2 4-sided

1



GR3476639, A

2

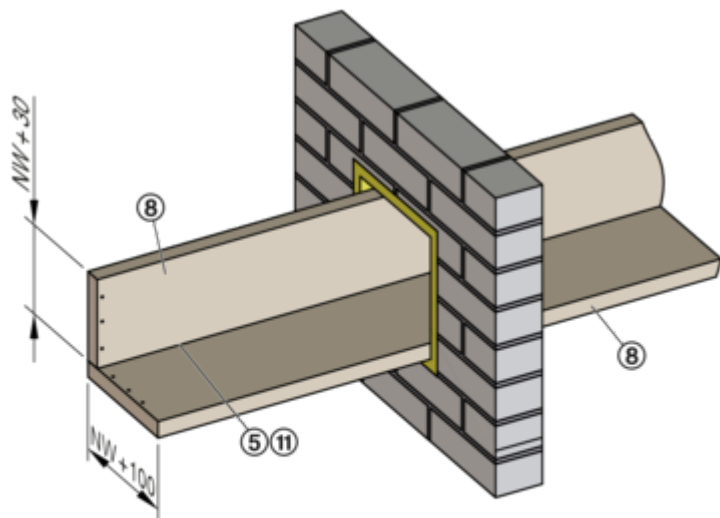


GR3476639, A

# Installation away from solid walls

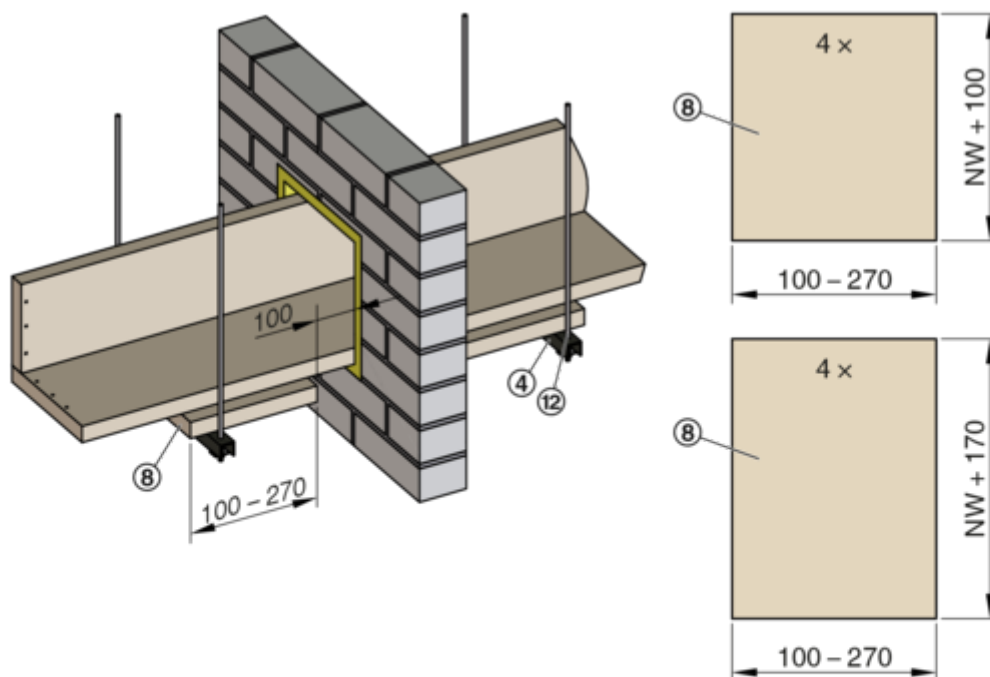
Assembly - wall duct > Installation kit WE2 4-sided

3



GR3476639, A

4



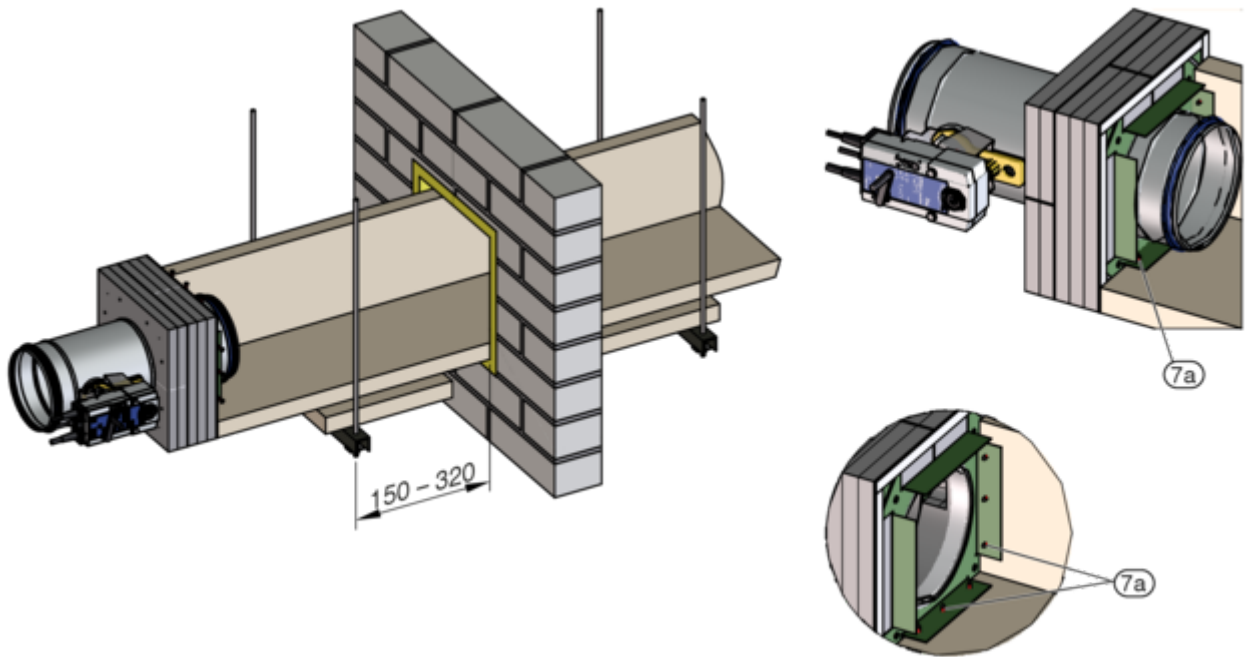
GR3476639, A



# Installation away from solid walls

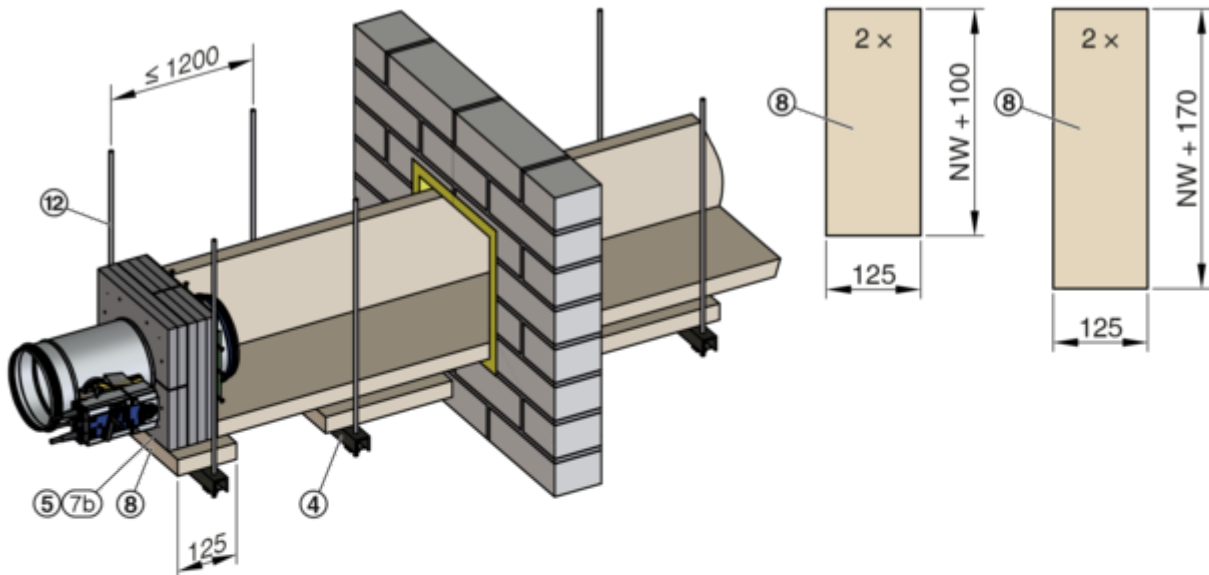
Assembly - wall duct > Installation kit WE2 4-sided

5



GR3476639, A

6

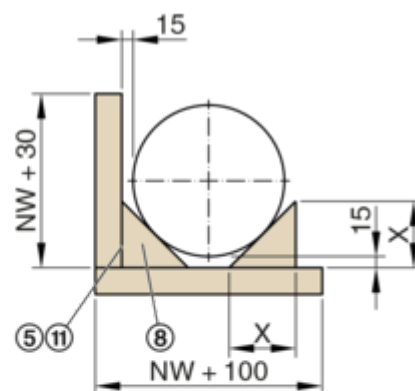
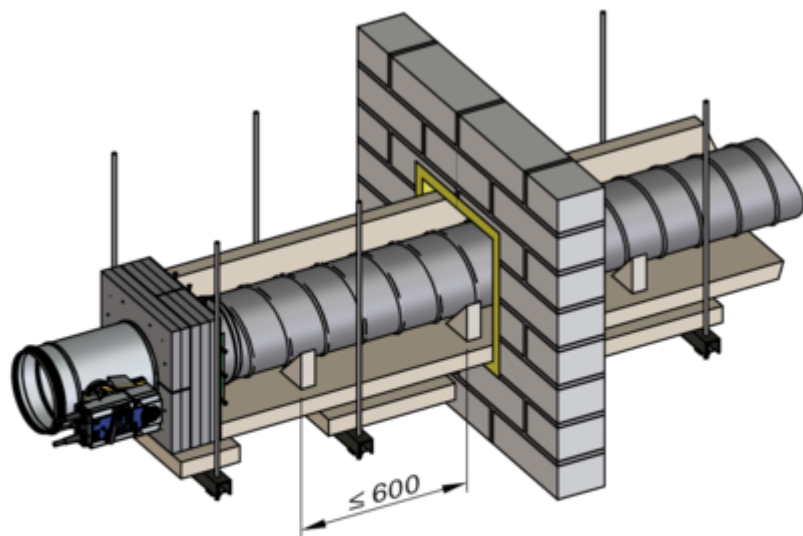


GR3476639, A

# Installation away from solid walls

Assembly - wall duct > Installation kit WE2 4-sided

7

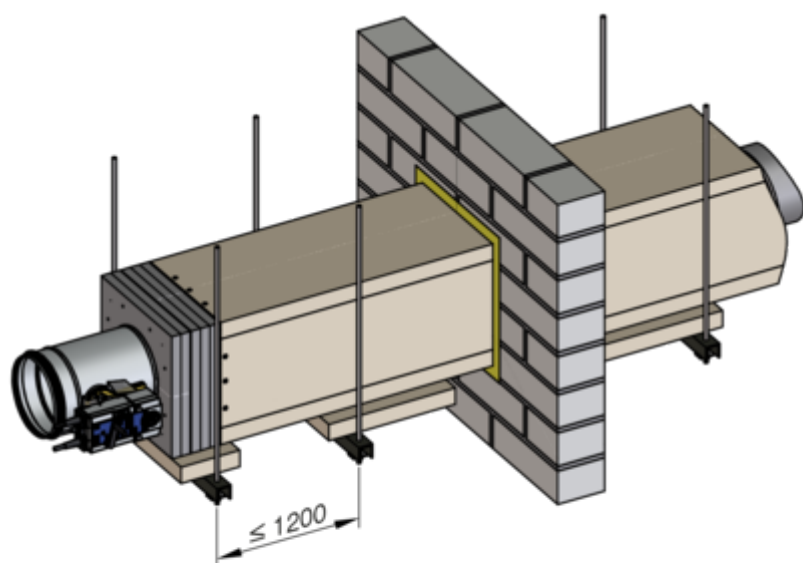


GR3476639, A

Support for air duct [mm]

Nominal size	100	125	150	160	180	200	224	250	280	315
X	59	66	74	77	82	88	95	103	112	122

8

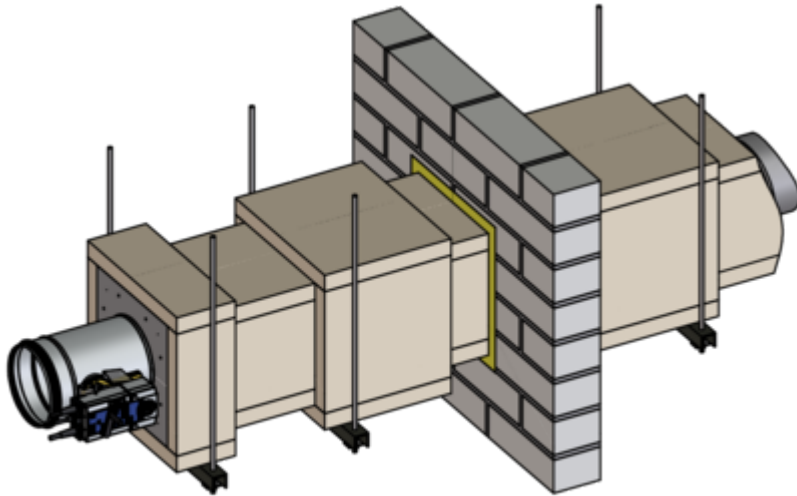


GR3476639, A

# Installation away from solid walls

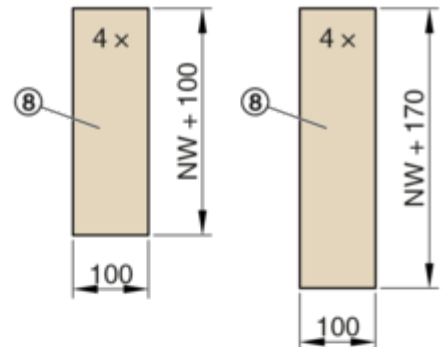
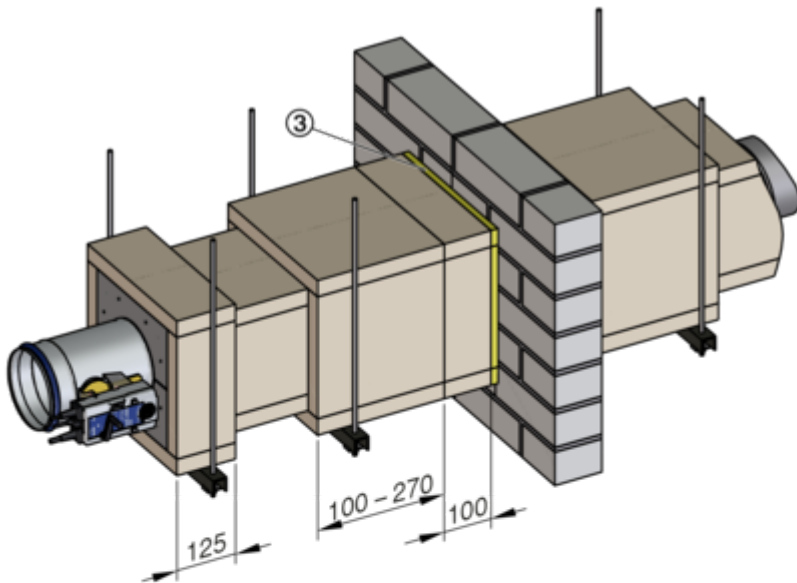
Assembly - wall duct > Installation kit WE2 4-sided

9



GR3476639, A

10

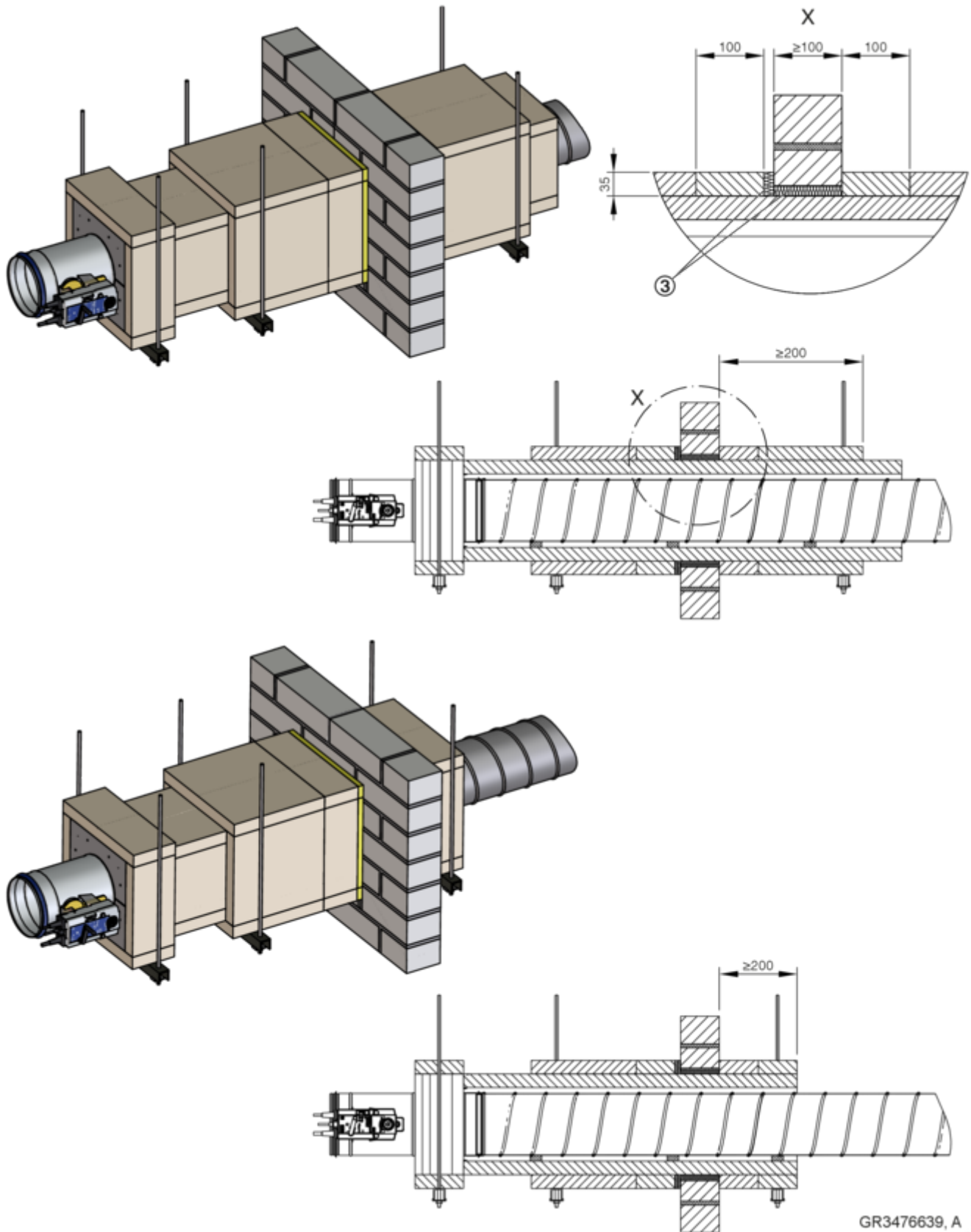


GR3476639, A

# Installation away from solid walls

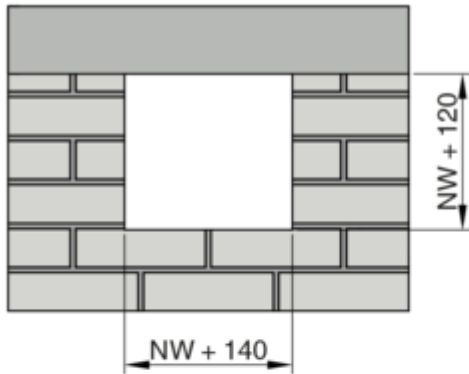
Assembly - wall duct > Installation kit WE2 4-sided

11



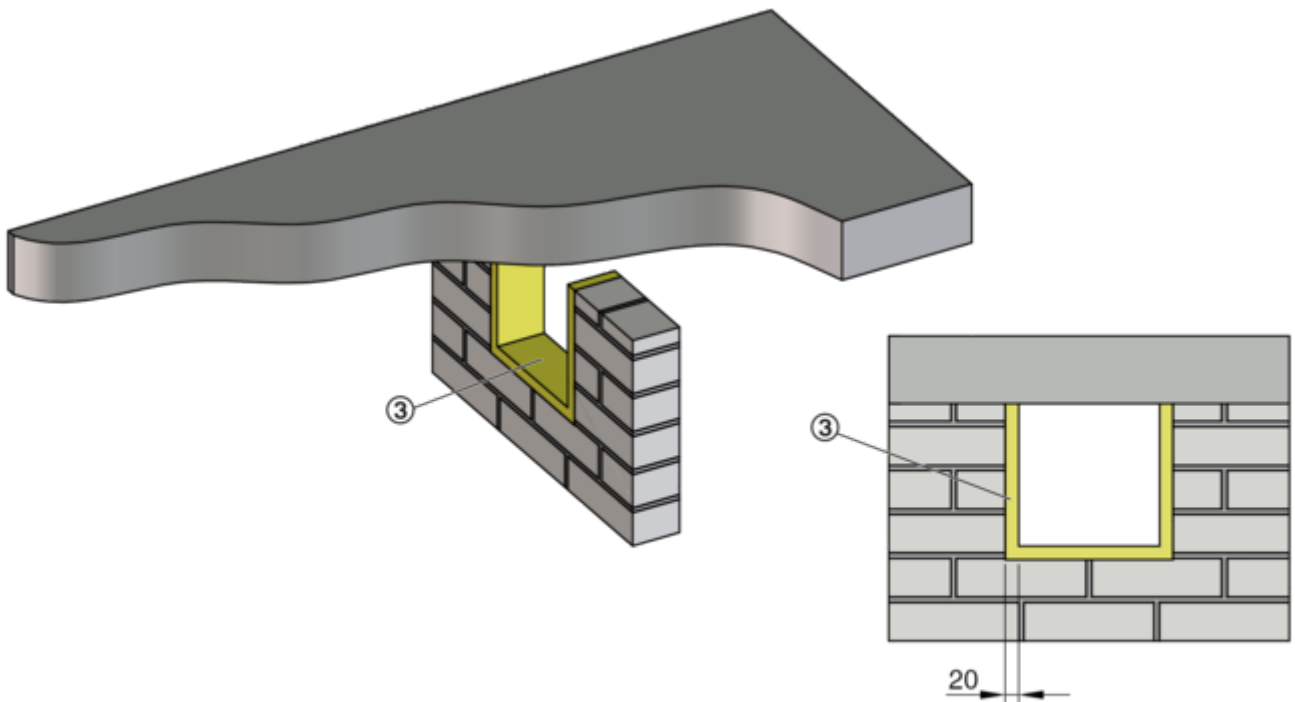
## 2.4.2 Installation kit WE2 3-sided

12



GR3477032, A

13

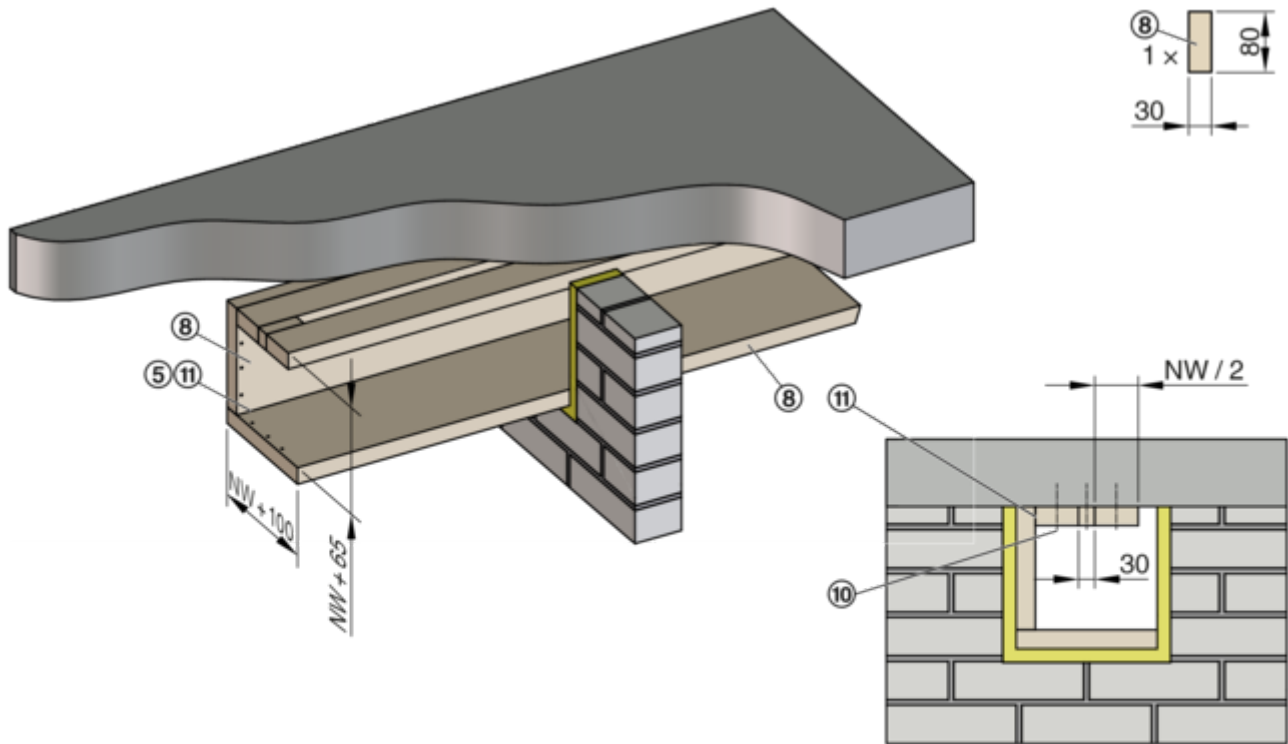


GR3477032, A

# Installation away from solid walls

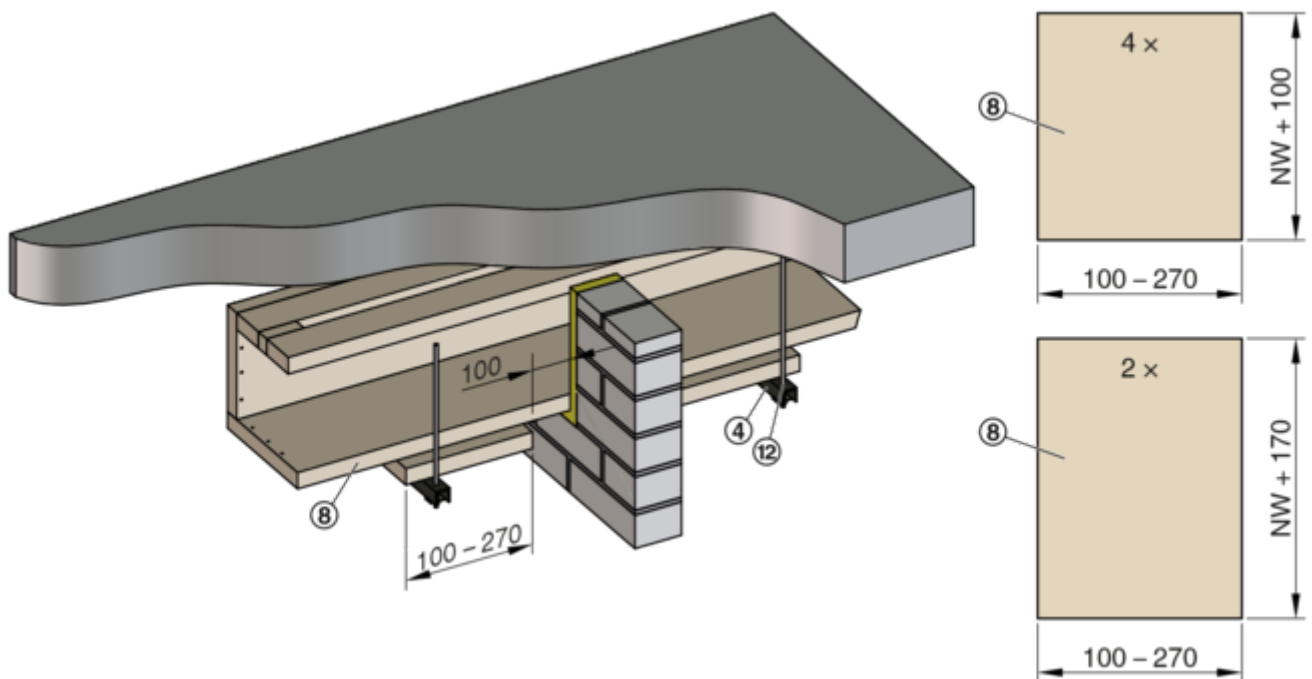
Assembly - wall duct > Installation kit WE2 3-sided

14



GR3477032, A

15

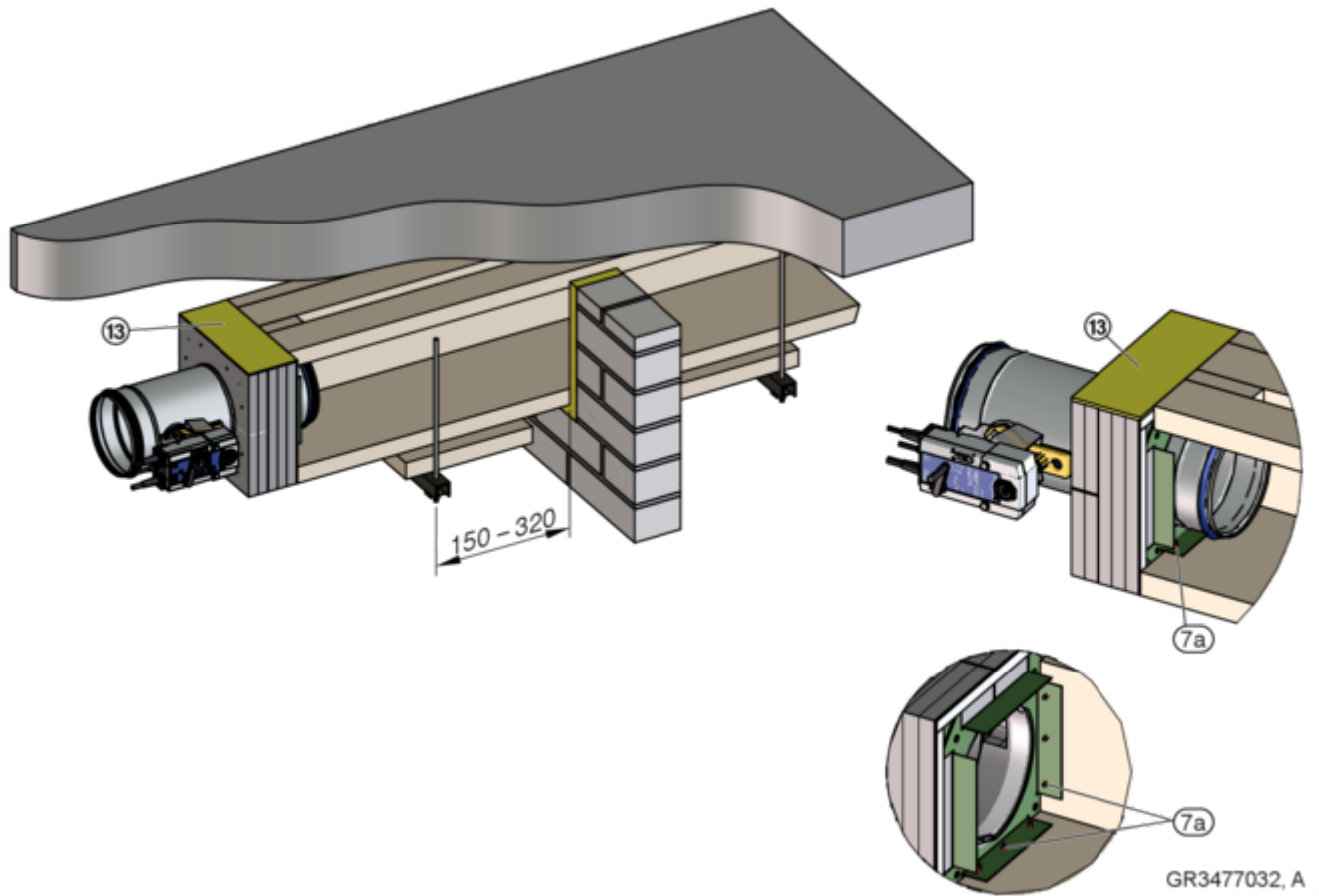


GR3477032, A

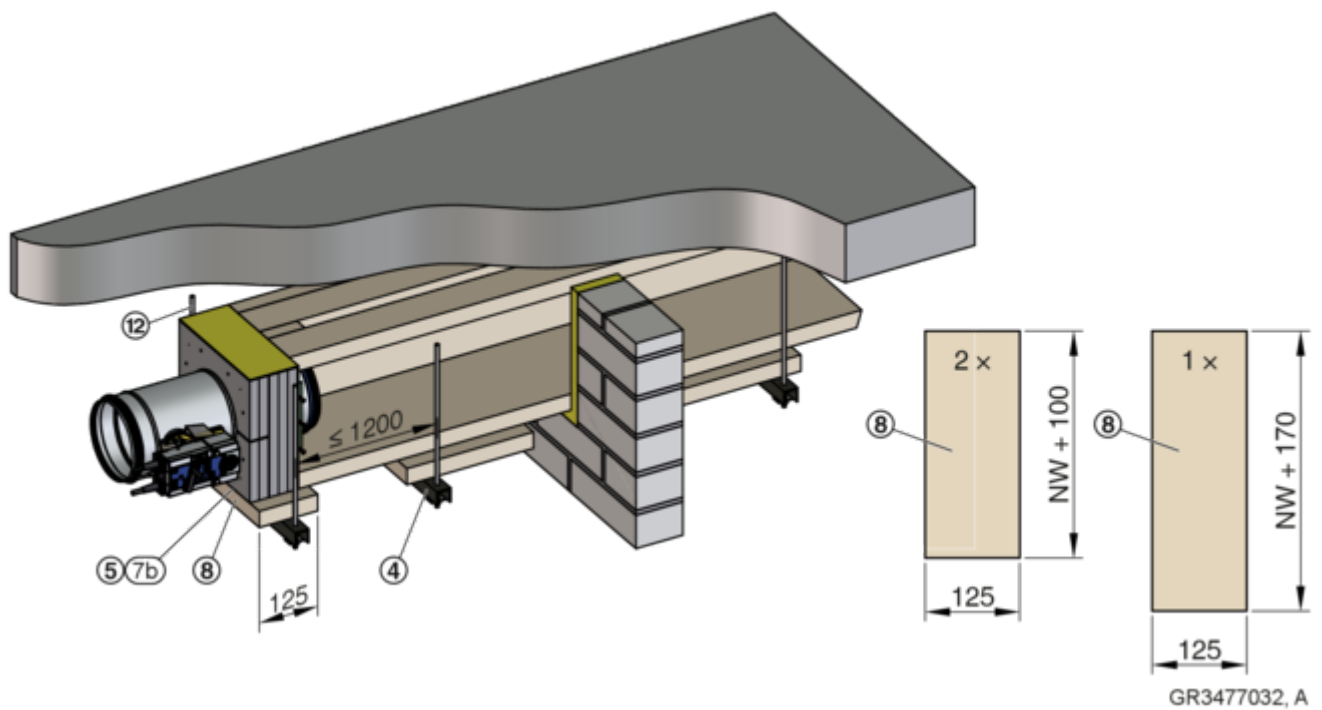
# Installation away from solid walls

Assembly - wall duct > Installation kit WE2 3-sided

16



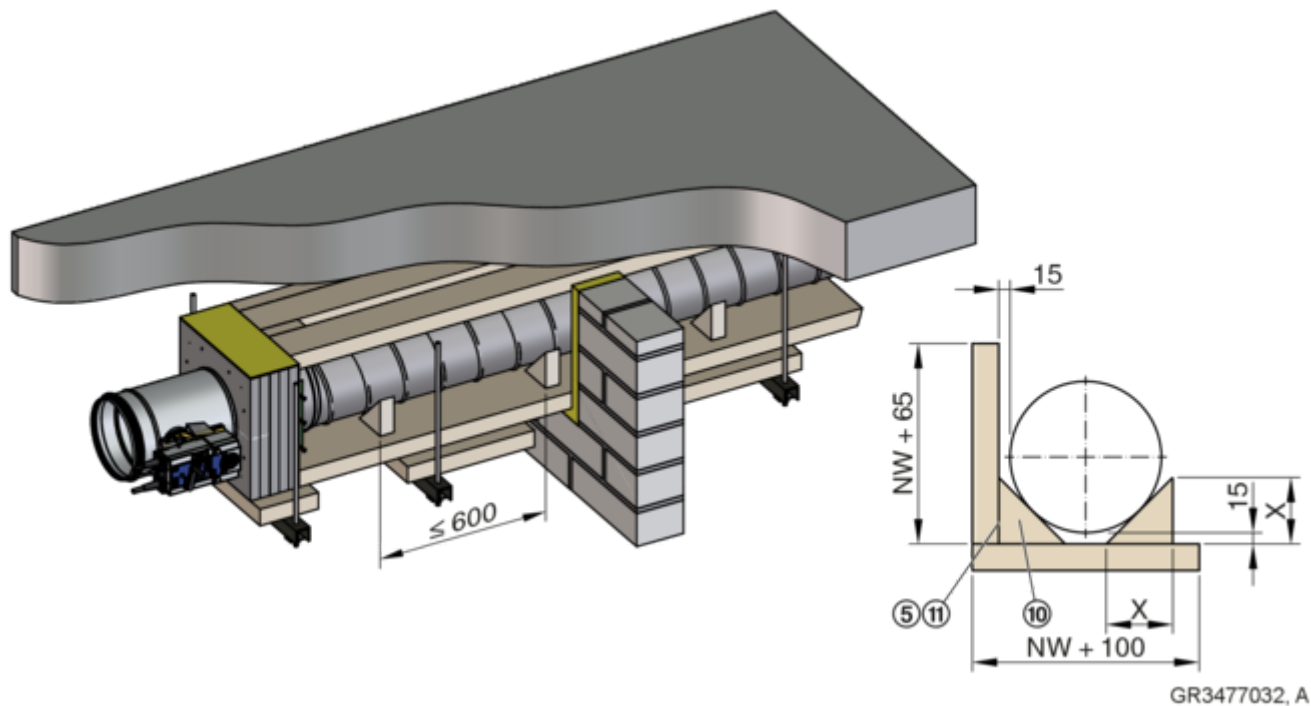
17



# Installation away from solid walls

Assembly - wall duct > Installation kit WE2 3-sided

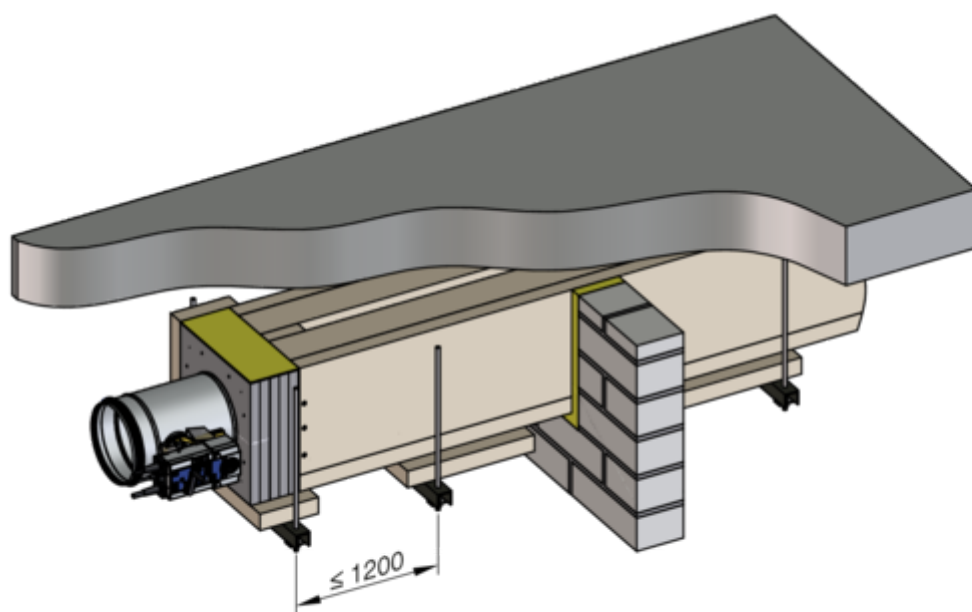
18



Support for air duct [mm]

Nominal size	100	125	150	160	180	200	224	250	280	315
X	59	66	74	77	82	88	95	103	112	122

19



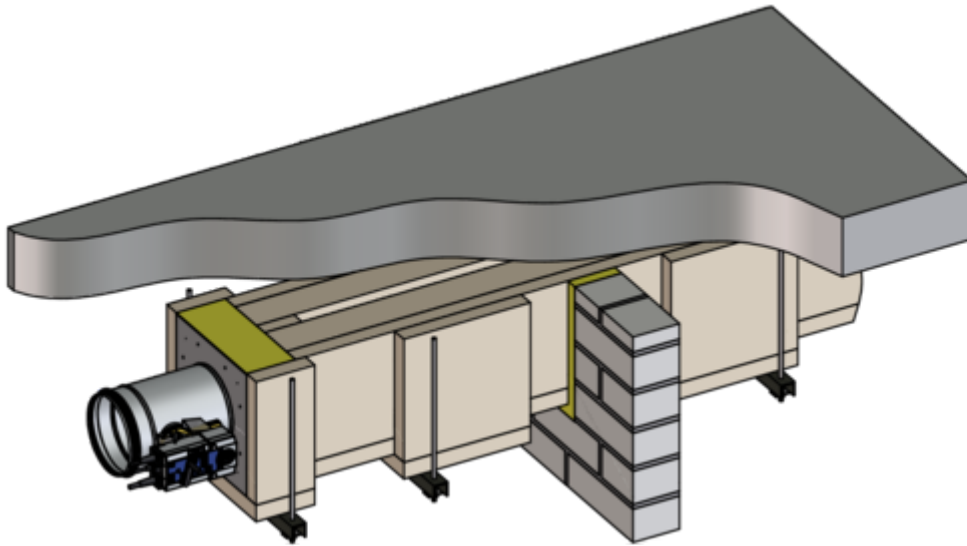
GR3477032, A



# Installation away from solid walls

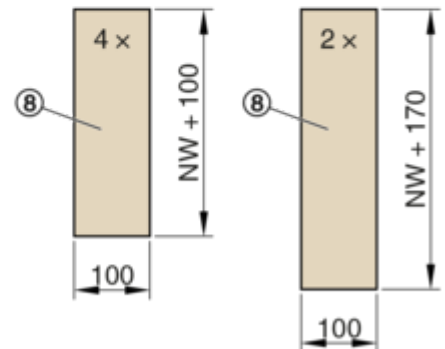
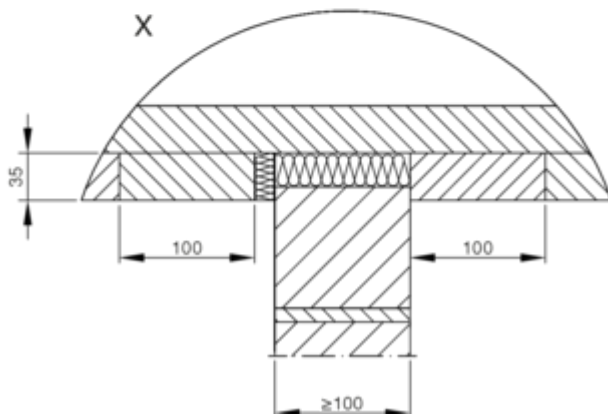
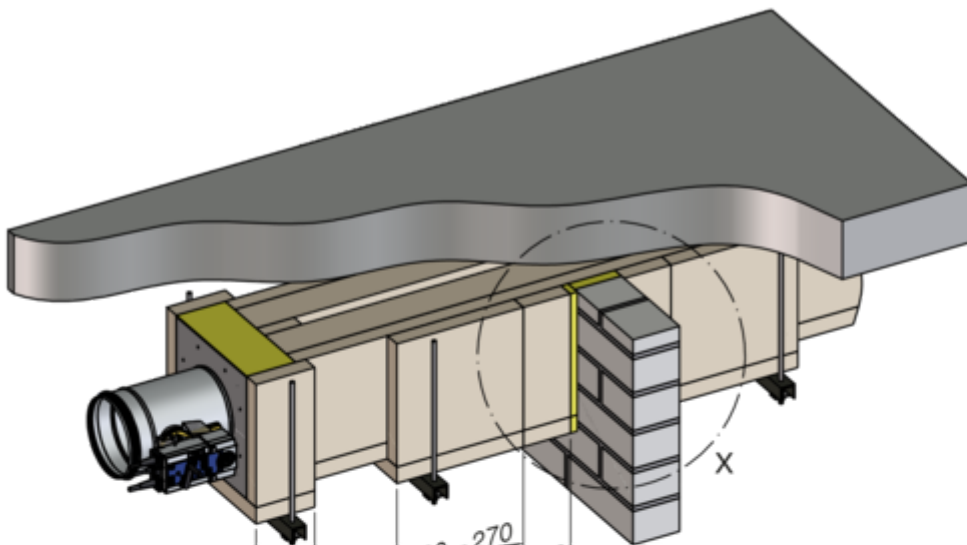
Assembly - wall duct > Installation kit WE2 3-sided

20



GR3477032, A

21



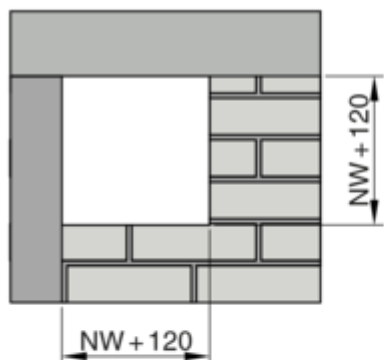
GR3477032, A

# Installation away from solid walls

Assembly - wall duct > Installation kit WE2 2-sided

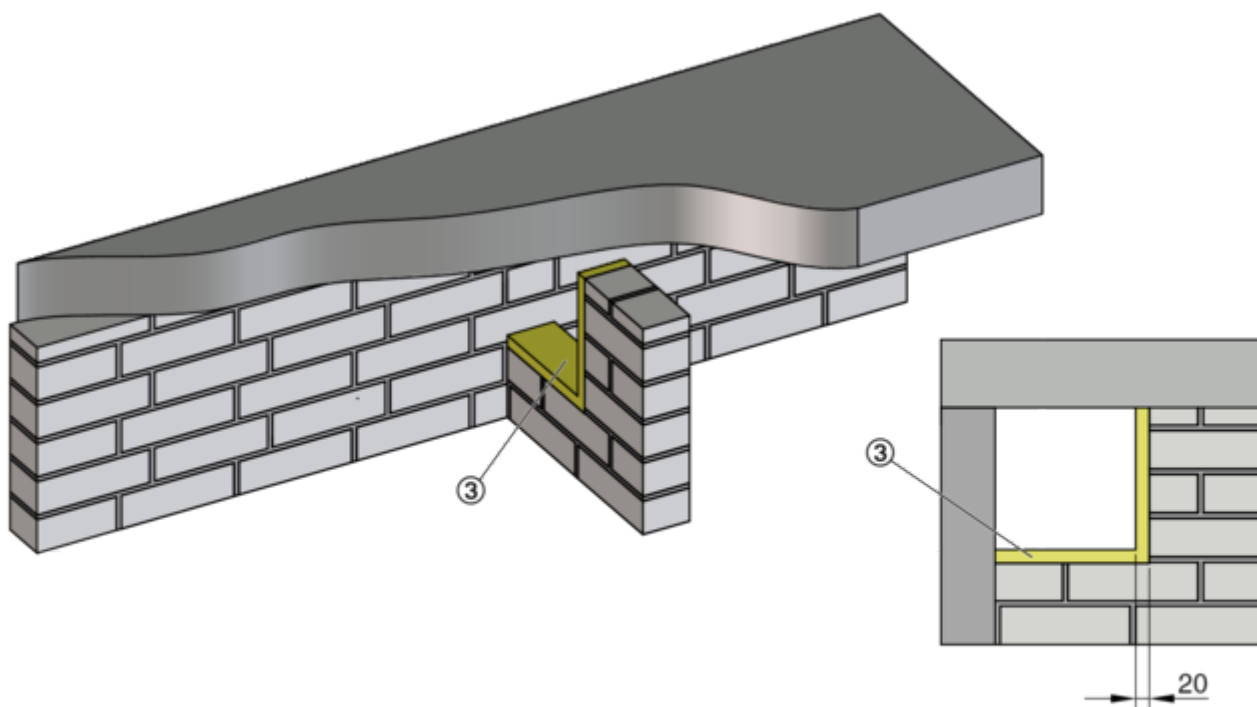
## 2.4.3 Installation kit WE2 2-sided

22



GR3477570, A

23

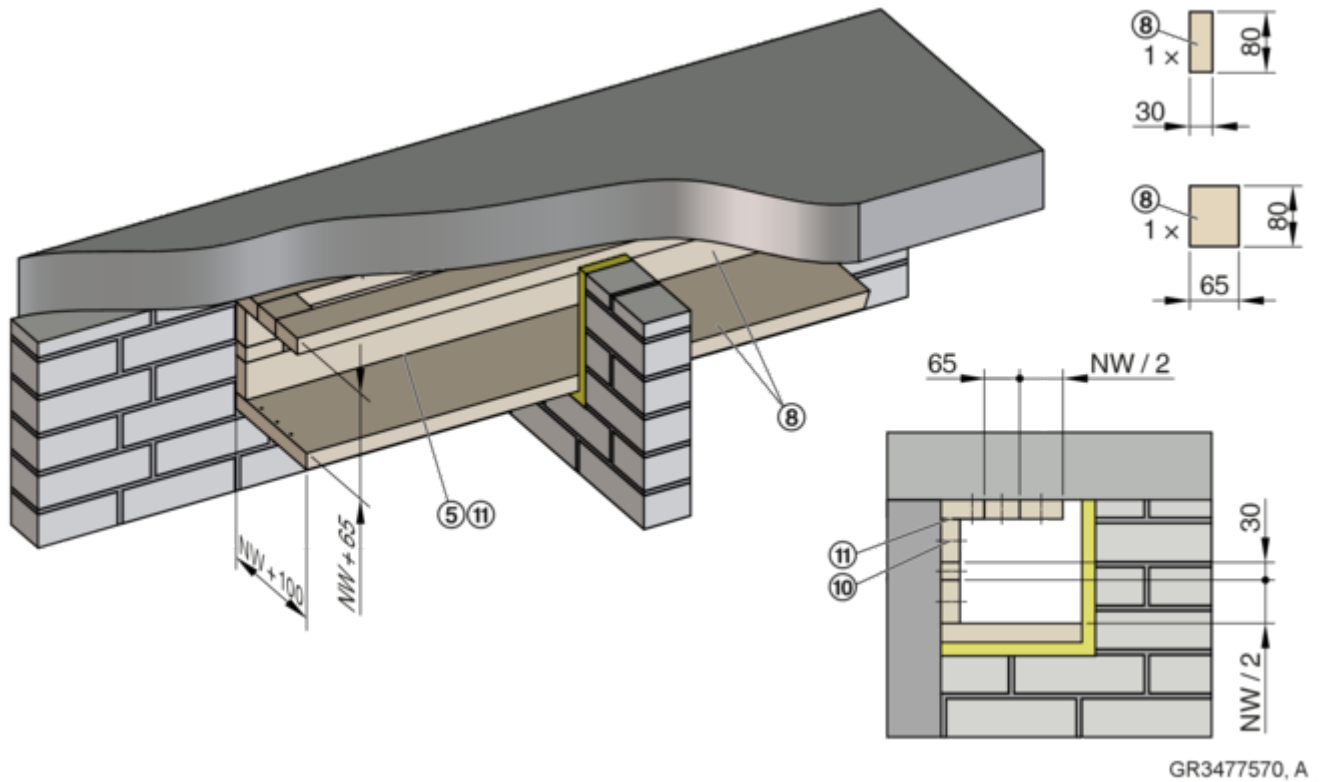


GR3477570, A

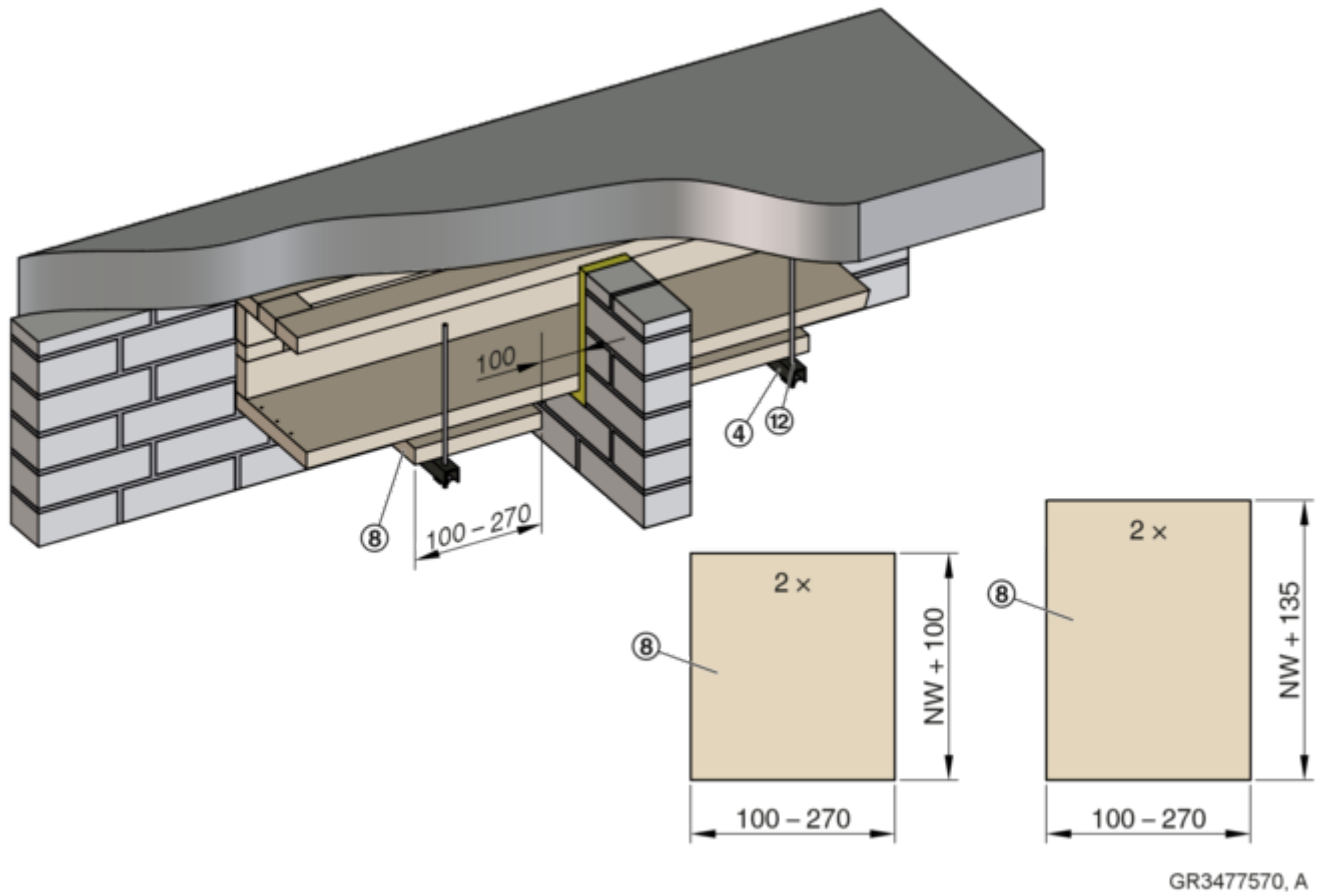
# Installation away from solid walls

Assembly - wall duct > Installation kit WE2 2-sided

24



25

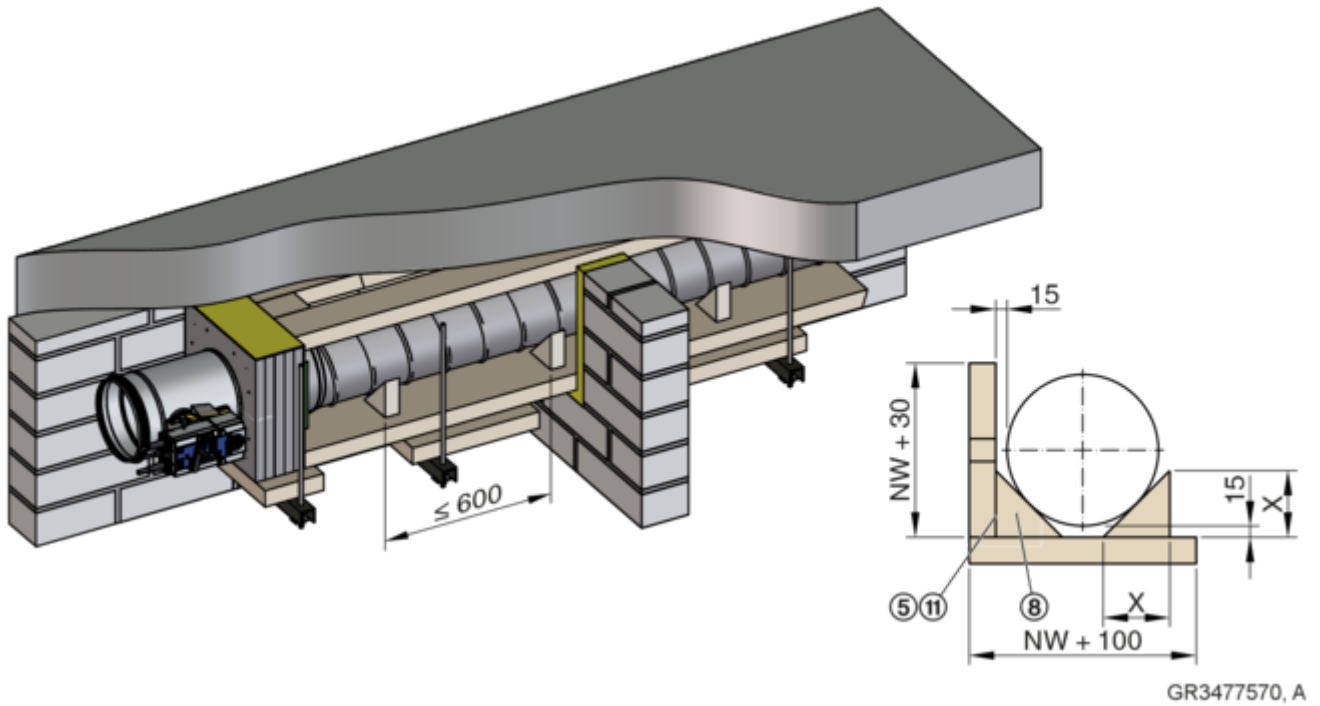




# Installation away from solid walls

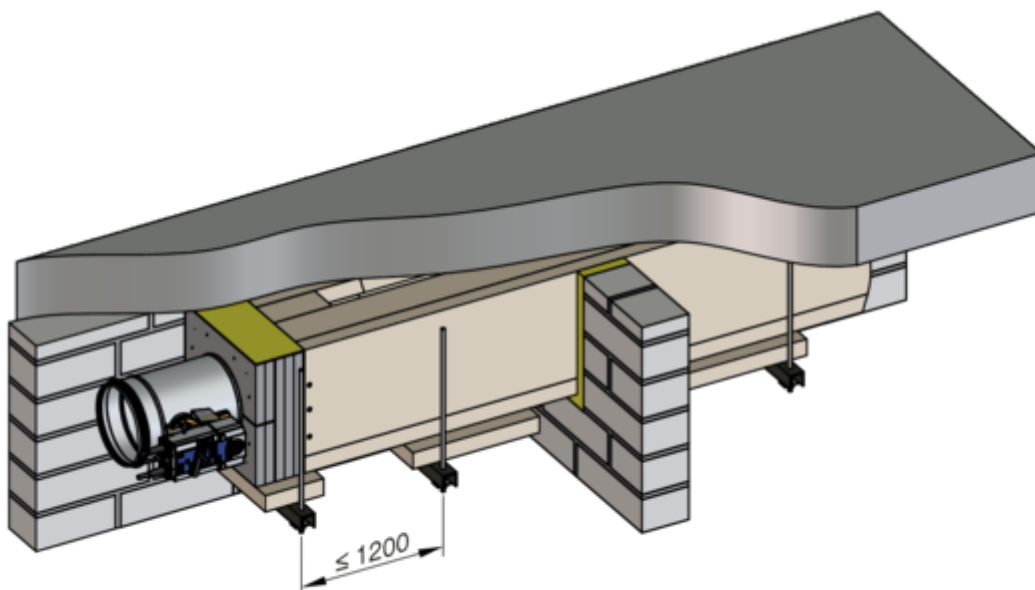
Assembly - wall duct > Installation kit WE2 2-sided

28



Support for air duct [mm]										
Nominal size	100	125	150	160	180	200	224	250	280	315
X	59	66	74	77	82	88	95	103	112	122

29

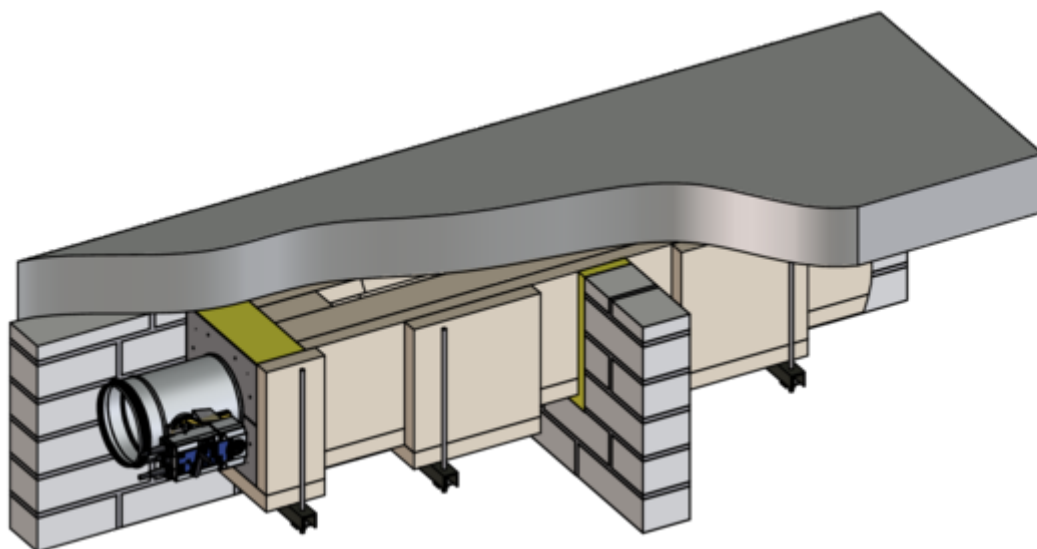


GR3477570, A

# Installation away from solid walls

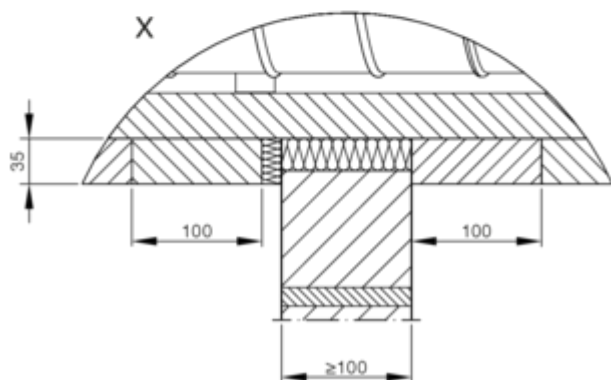
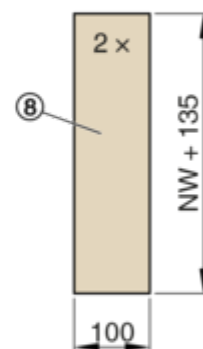
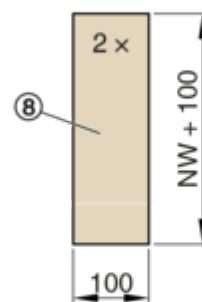
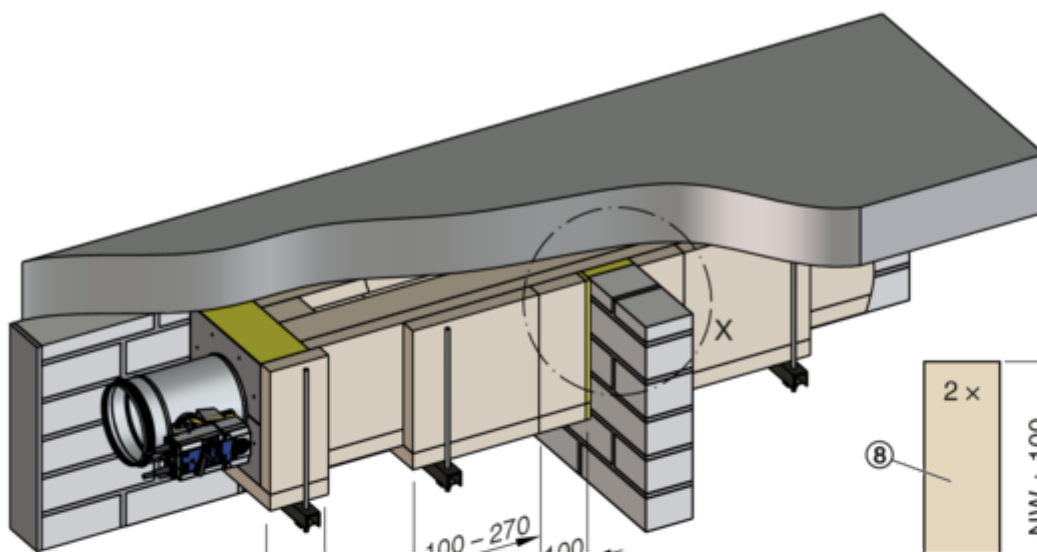
Assembly - wall duct > Installation kit WE2 2-sided

30



GR3477570, A

31

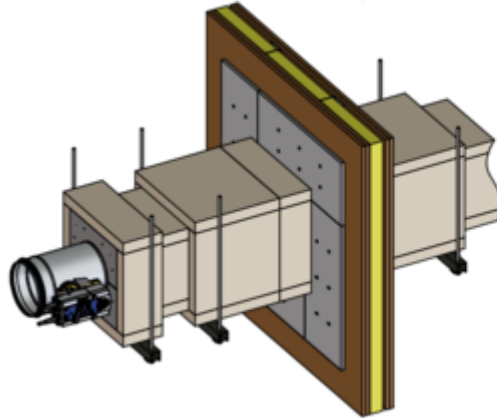
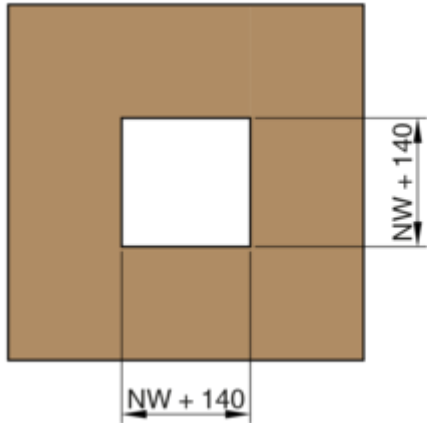


GR3477570, A

## 3 Installation away from metal stud walls

### 3.1 Overview - Wall duct

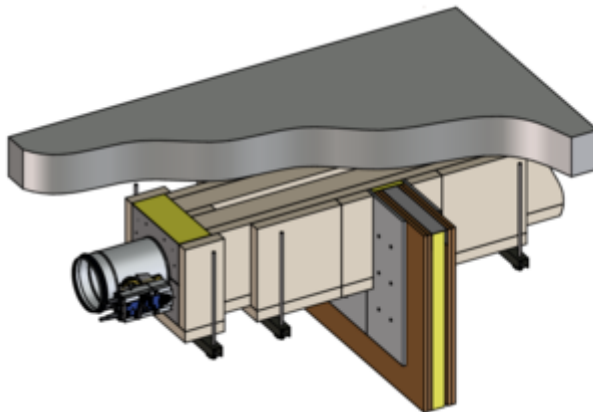
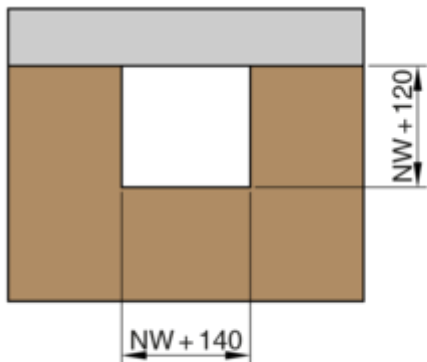
#### Installation kit WE2 4-sided



GR2788791, A

Fig. 10: Installation detail 1 - 11, see ↗ 40

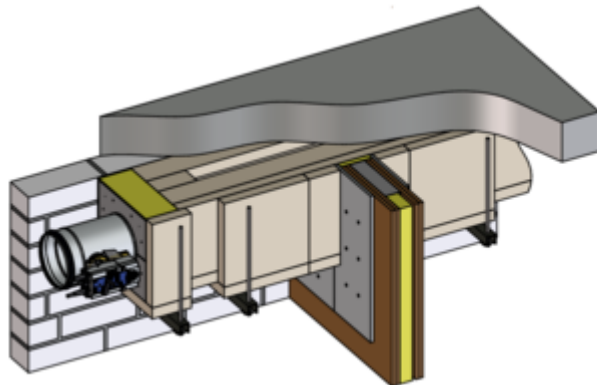
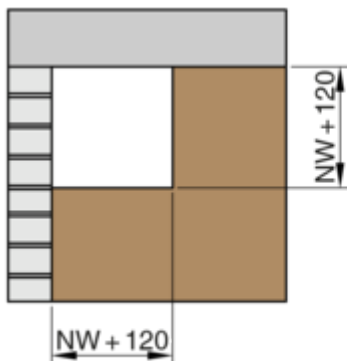
#### Installation kit WE2 3-sided



GR2799544, A

Fig. 11: Installation detail 12 - 22, see ↗ 47

#### Installation kit WE2 2-sided



GR2806792, A

Fig. 12: Installation detail 23 - 33, see ↗ 53

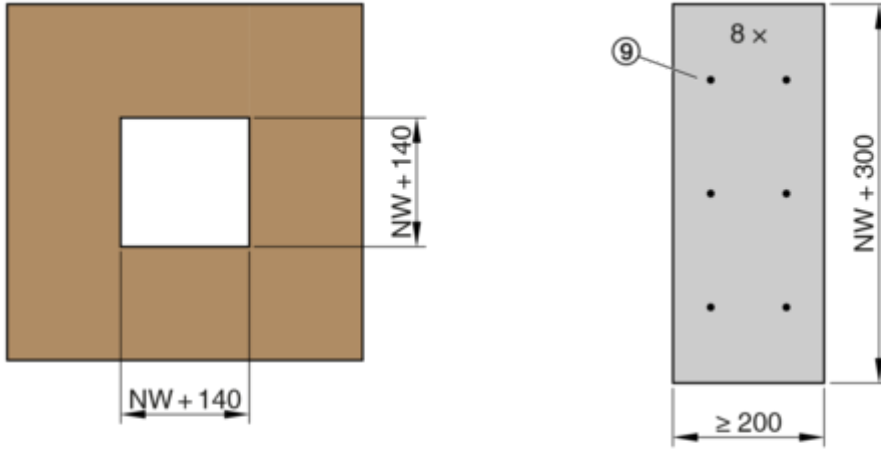
# Installation away from metal stud walls

Assembly - wall duct > Installation kit WE2 4-sided

## 3.2 Assembly - wall duct

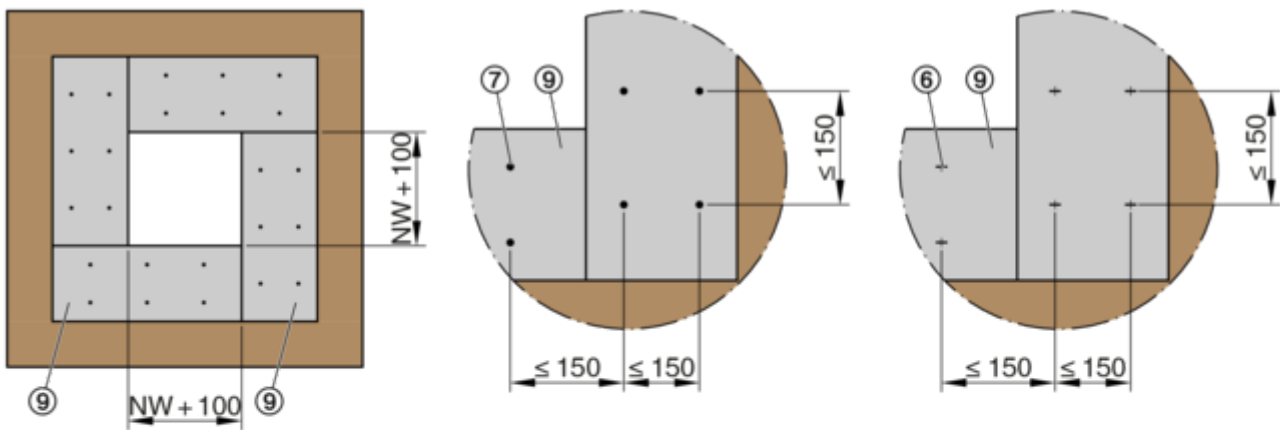
### 3.2.1 Installation kit WE2 4-sided

1



GR2788791, A

2



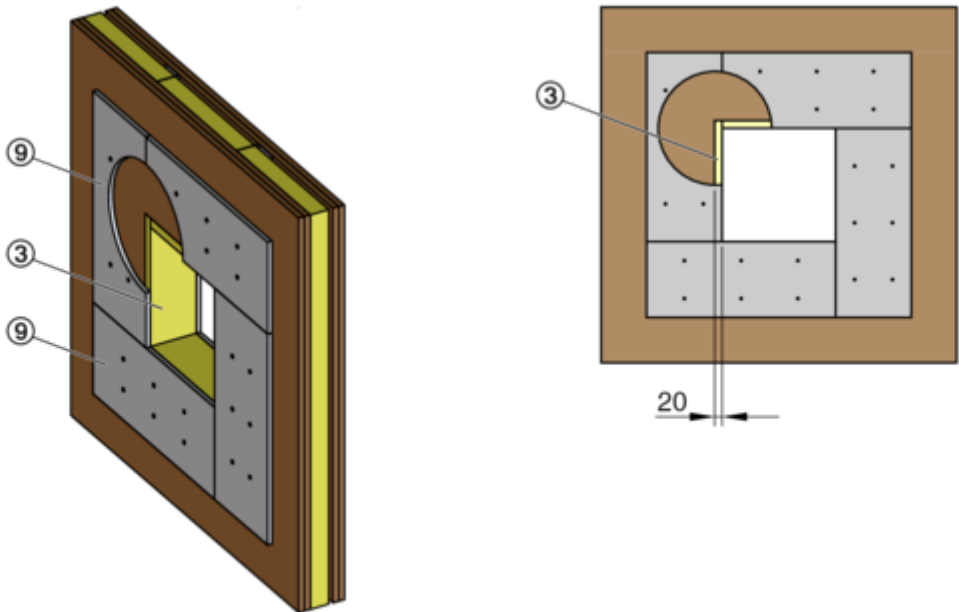
GR2788791, A



# Installation away from metal stud walls

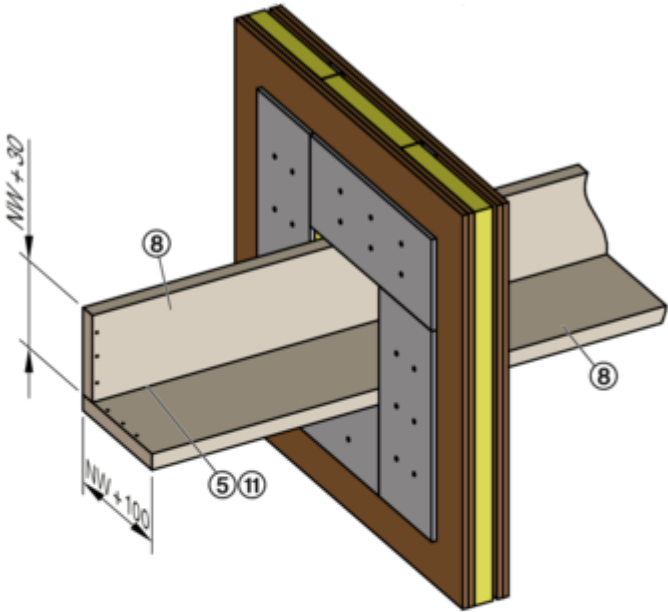
Assembly - wall duct > Installation kit WE2 4-sided

3



GR2788791, A

4

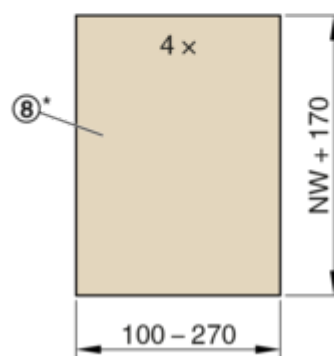
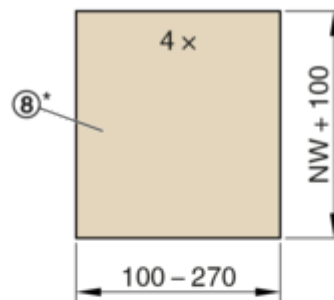
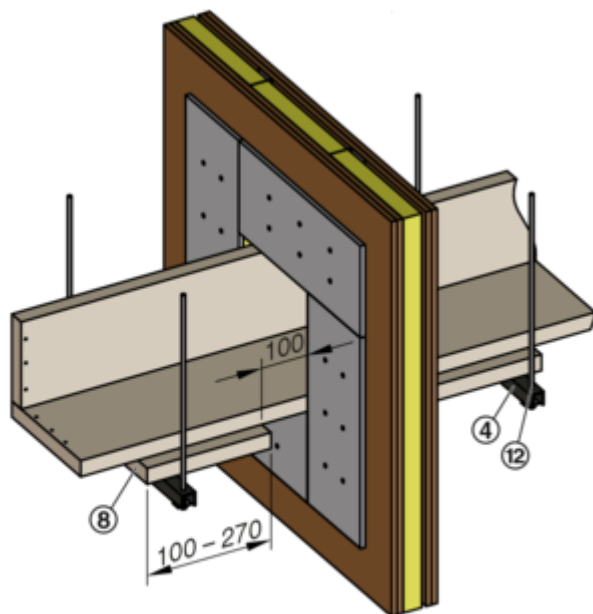


GR2788791, A

# Installation away from metal stud walls

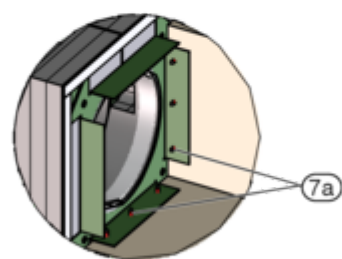
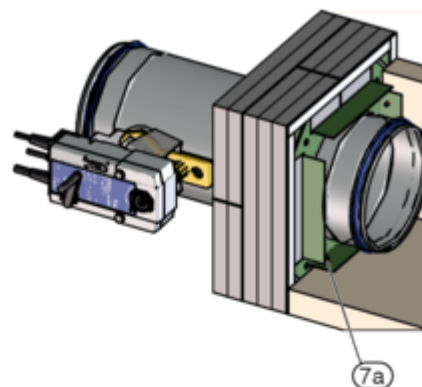
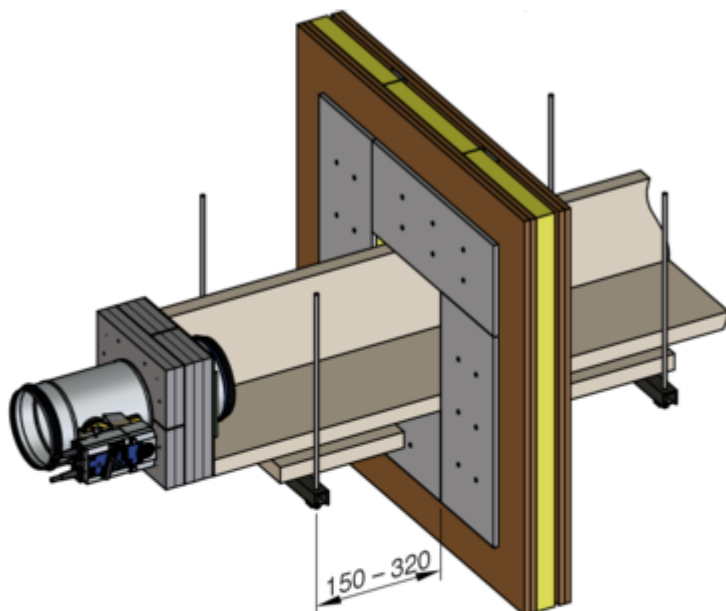
Assembly - wall duct > Installation kit WE2 4-sided

5



GR2788791, A

6

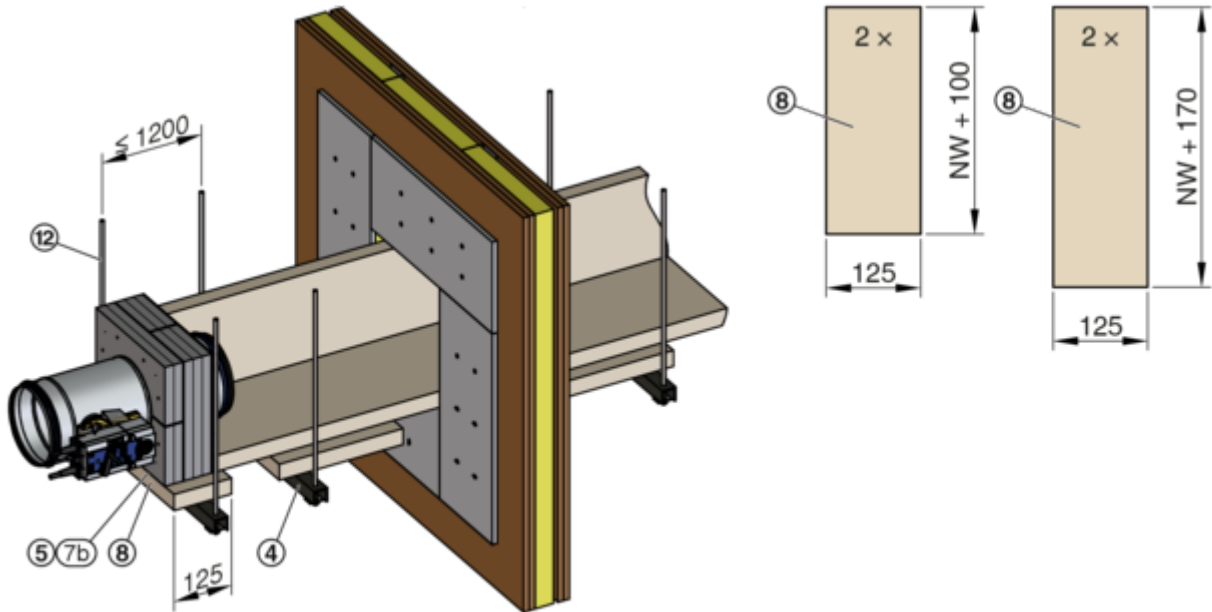


GR2788791, A

# Installation away from metal stud walls

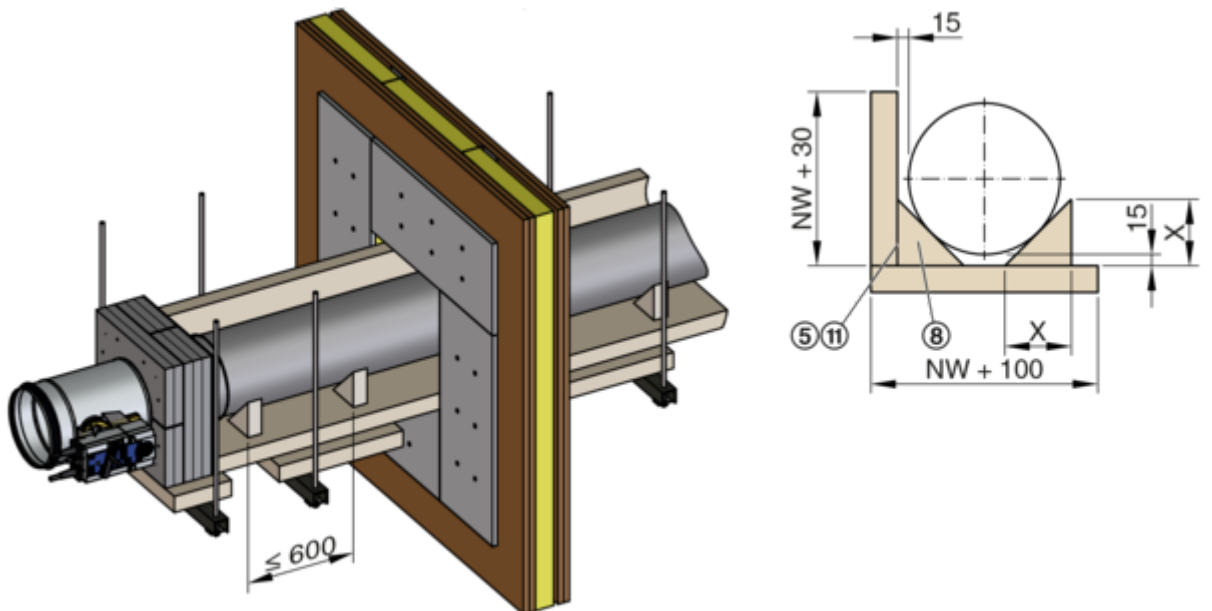
Assembly - wall duct > Installation kit WE2 4-sided

7



GR2788791, A

8



GR2788791, A

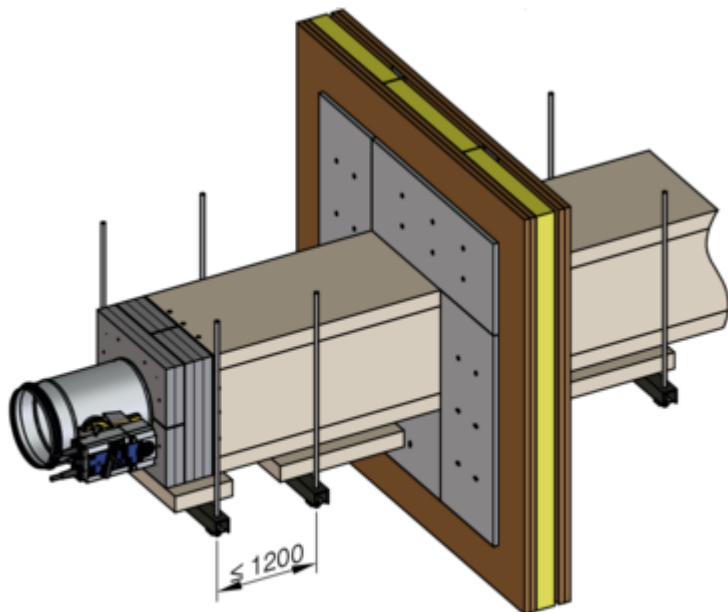
Support for air duct [mm]

Nominal size	100	125	150	160	180	200	224	250	280	315
X	59	66	74	77	82	88	95	103	112	122

# Installation away from metal stud walls

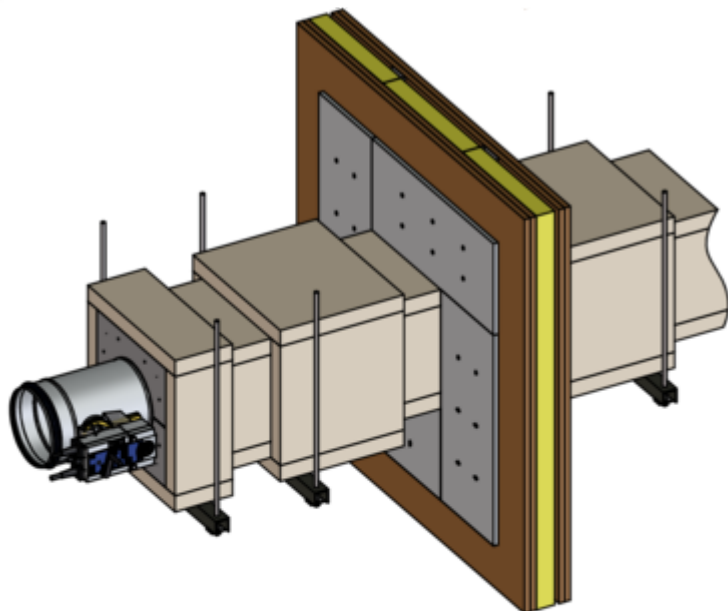
Assembly - wall duct > Installation kit WE2 4-sided

9



GR2788791, A

10

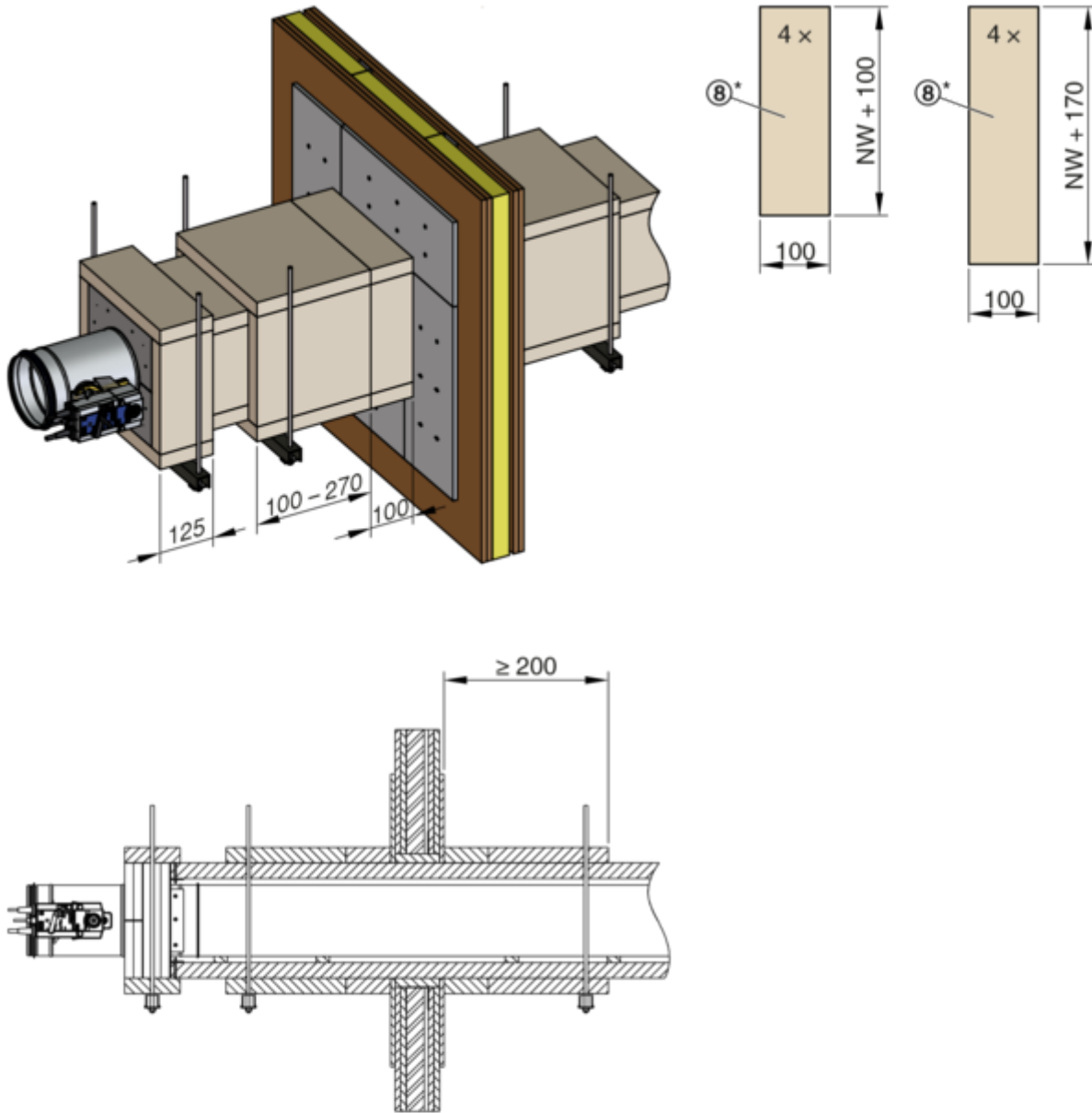


GR2788791, A

# Installation away from metal stud walls

Assembly - wall duct > Installation kit WE2 4-sided

11a



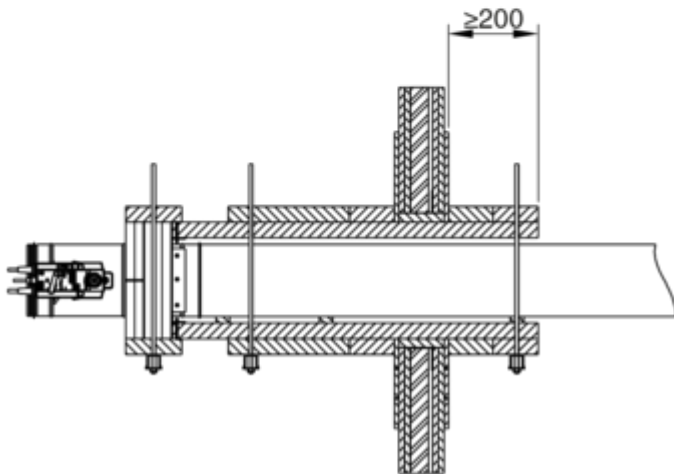
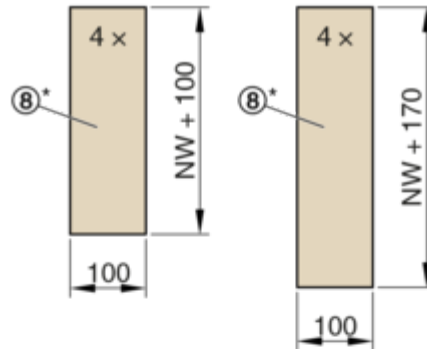
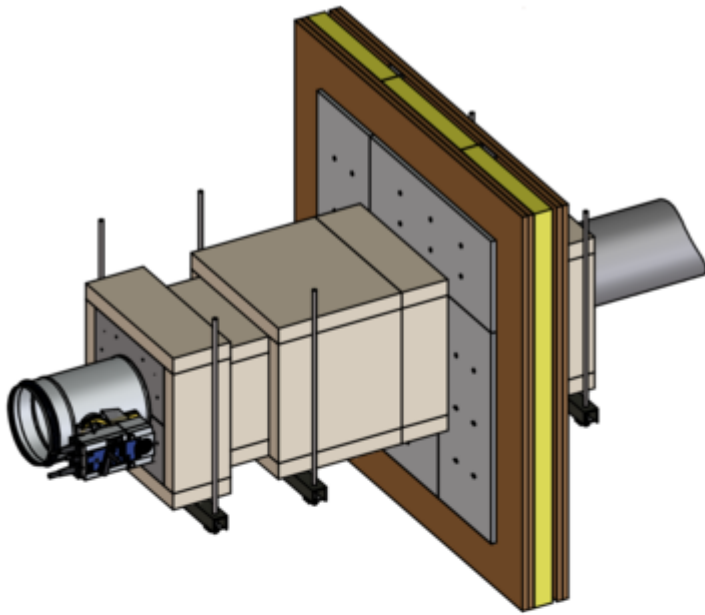
GR2788791, A

\* The panel blanks (8) from Fig. 5 (width 100 - 270 mm) and Fig. 11a+b (width 100 mm), may also be produced in one piece with a width of 200 - 370 mm if required.

# Installation away from metal stud walls

Assembly - wall duct > Installation kit WE2 4-sided

11b



GR2788791, A

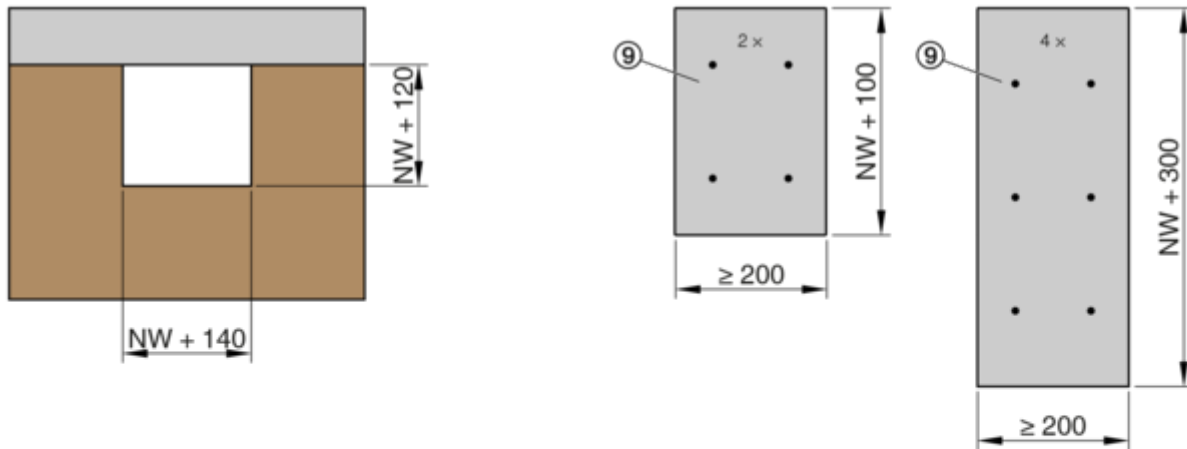
\* The panel blanks (8) from Fig. 5 (width 100 - 270 mm) and Fig. 11a+b (width 100 mm), may also be produced in one piece with a width of 200 - 370 mm if required.

# Installation away from metal stud walls

Assembly - wall duct > Installation kit WE2 3-sided

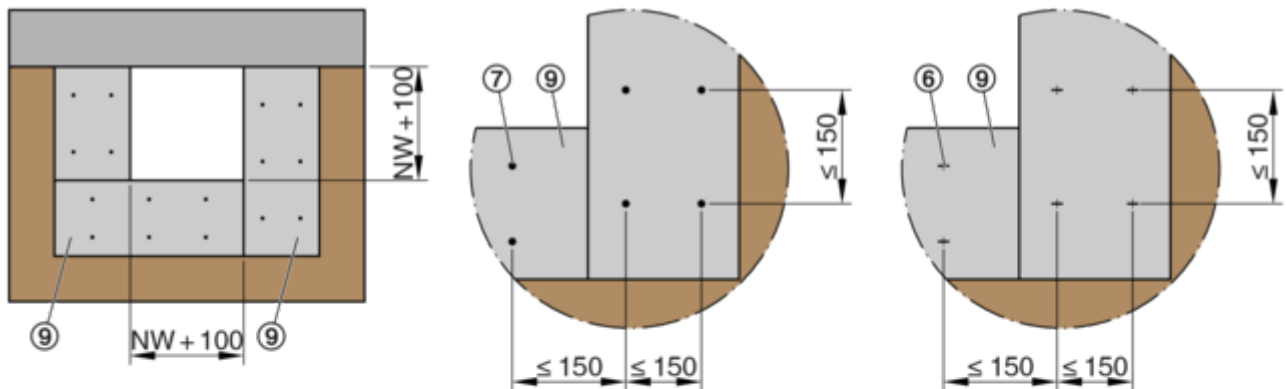
## 3.2.2 Installation kit WE2 3-sided

12



GR2799544, A

13

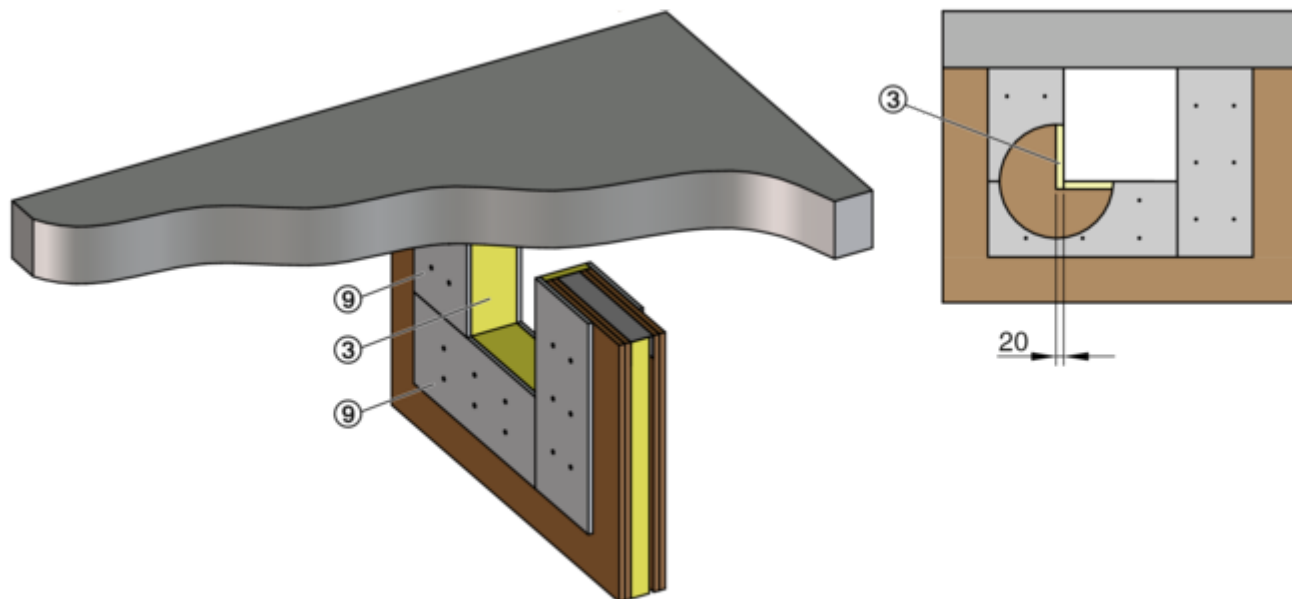


GR2799544, A

# Installation away from metal stud walls

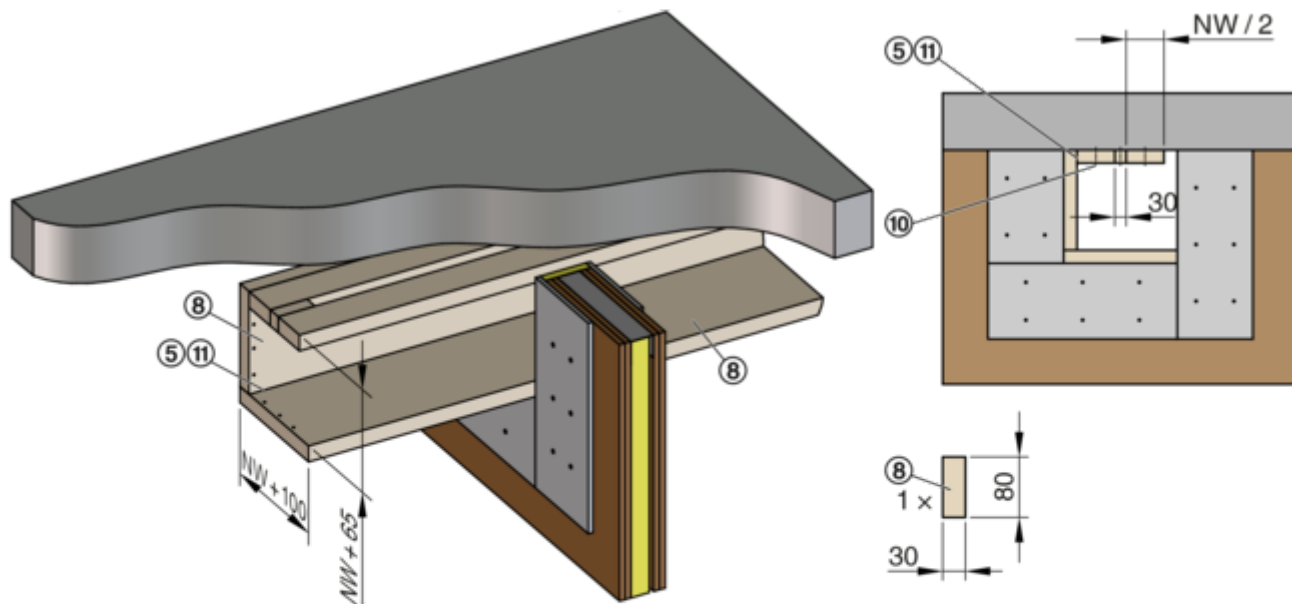
Assembly - wall duct > Installation kit WE2 3-sided

14



GR2799544, A

15



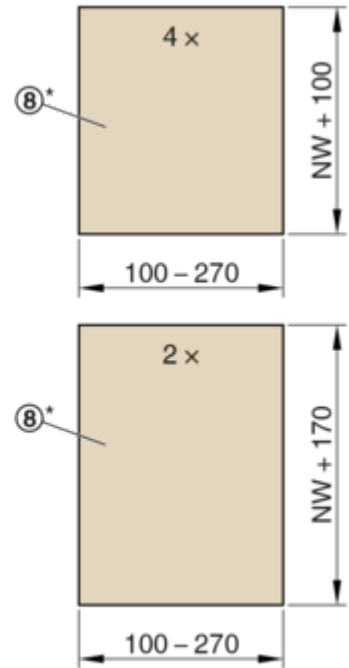
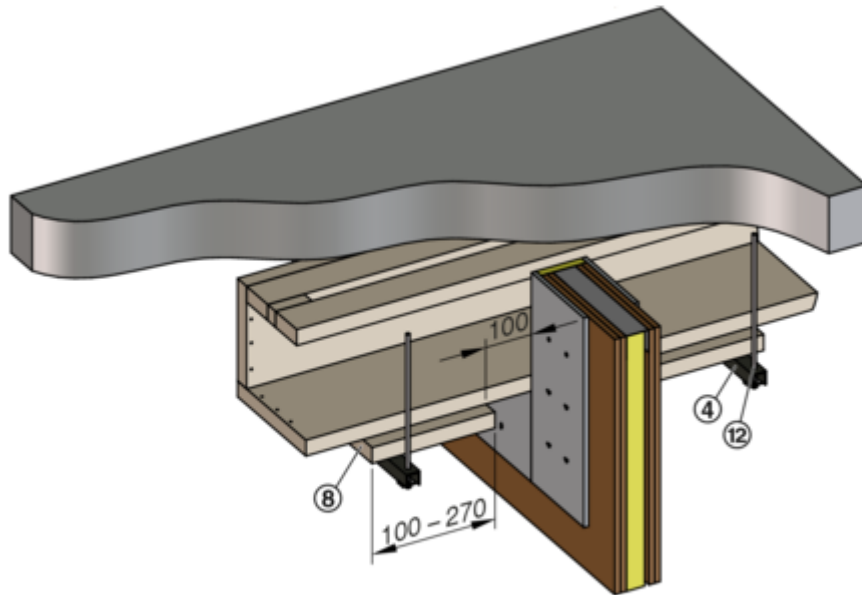
GR2799544, A



# Installation away from metal stud walls

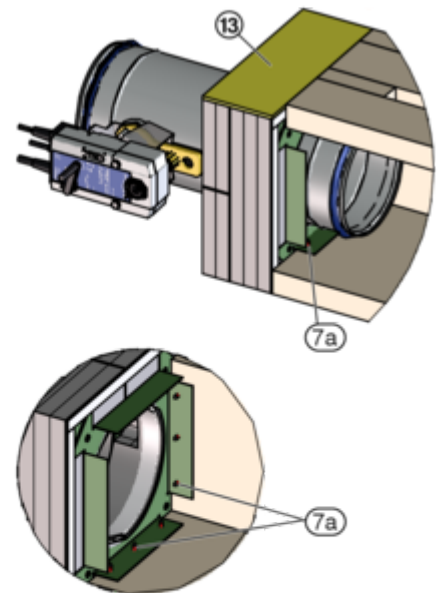
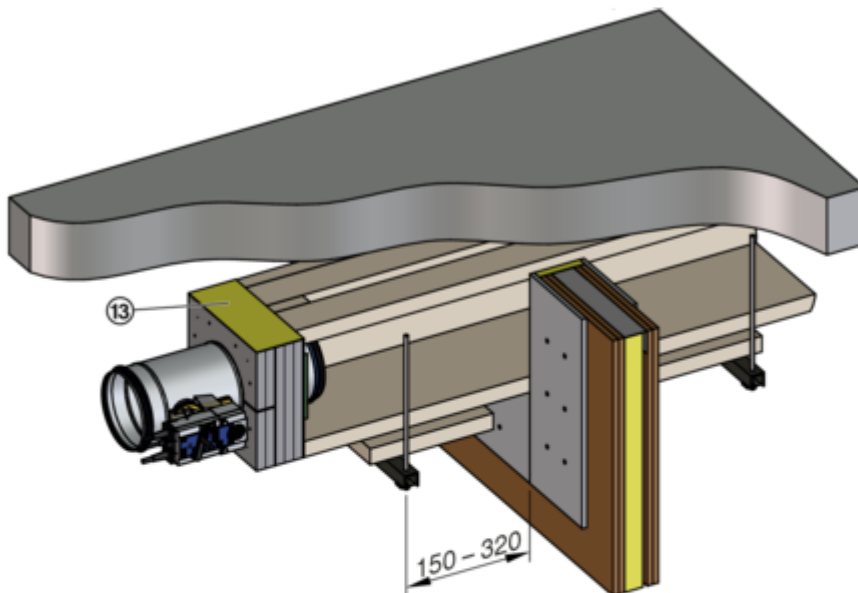
Assembly - wall duct > Installation kit WE2 3-sided

16



GR2799544, A

17

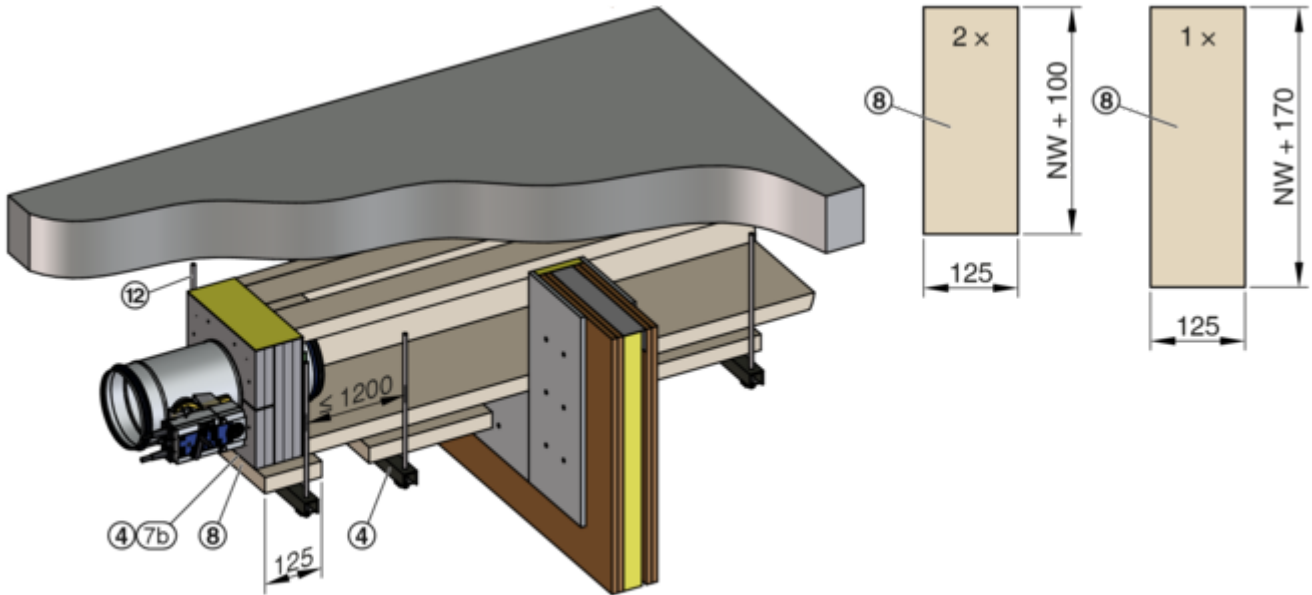


GR2799544, A

# Installation away from metal stud walls

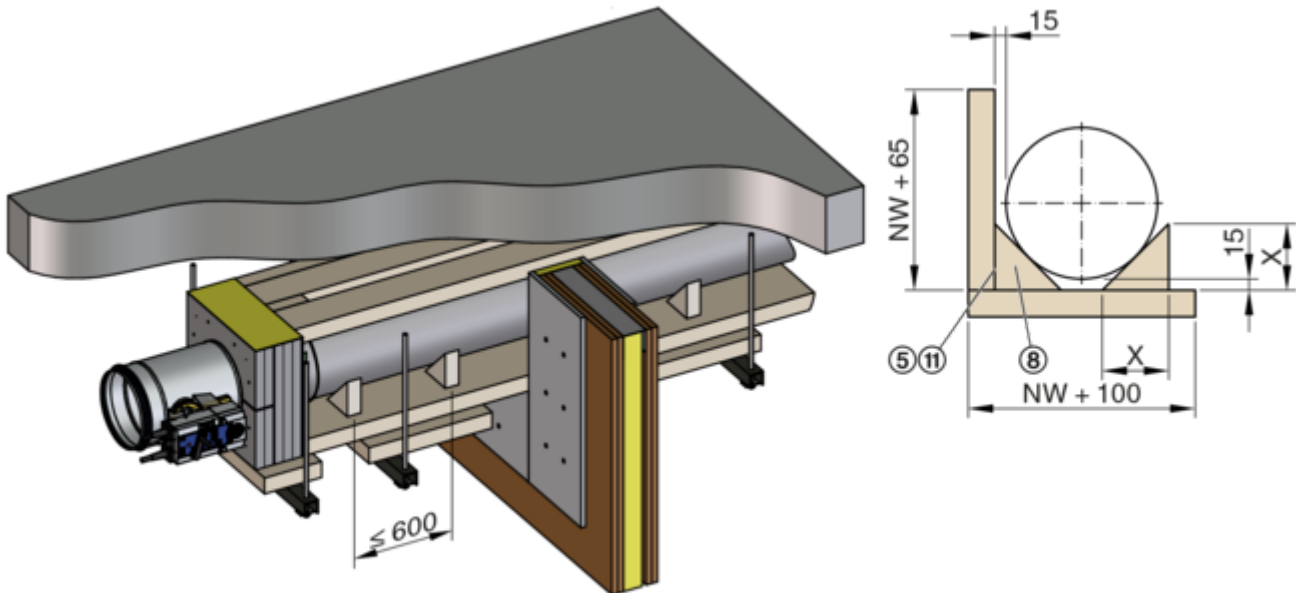
Assembly - wall duct > Installation kit WE2 3-sided

18



GR2799544, A

19



GR2799544, A

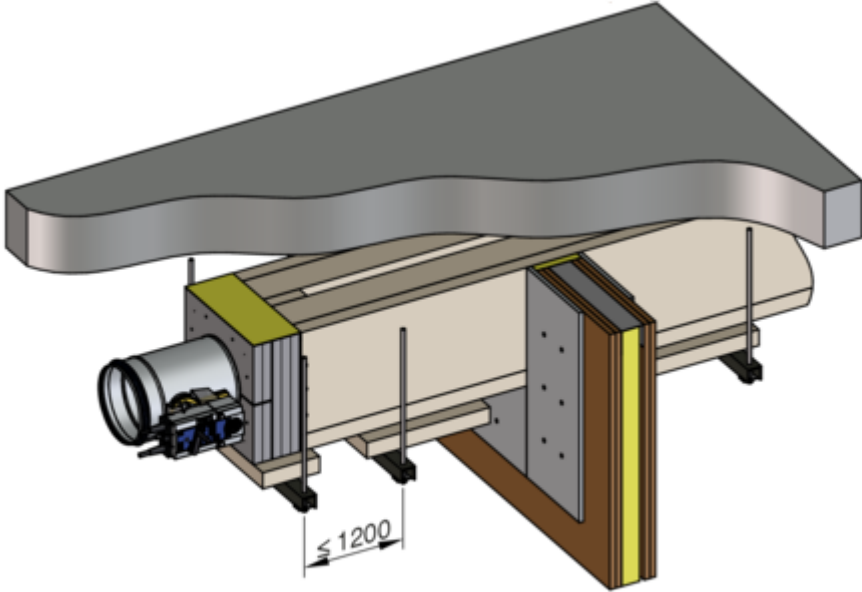
Support for air duct [mm]

Nominal size	100	125	150	160	180	200	224	250	280	315
X	59	66	74	77	82	88	95	103	112	122

# Installation away from metal stud walls

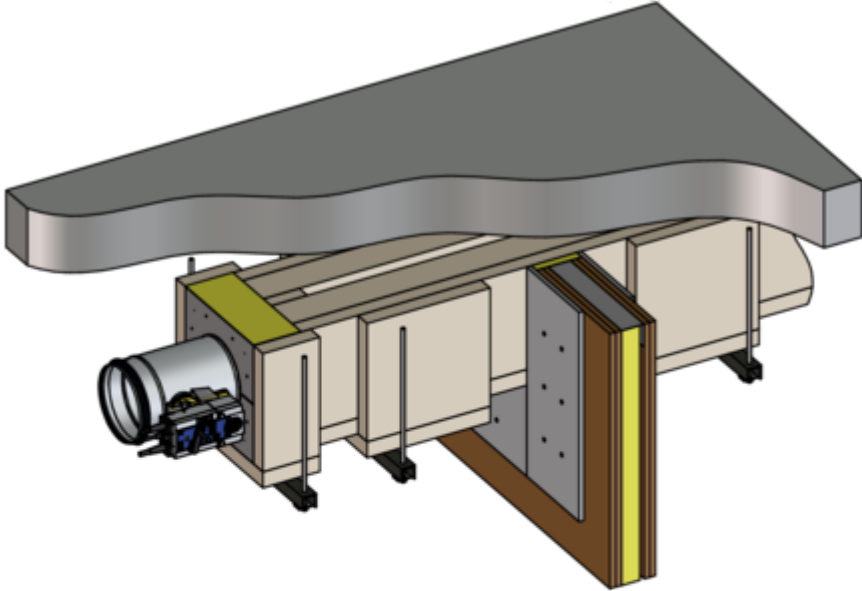
Assembly - wall duct > Installation kit WE2 3-sided

20



GR2799544, A

21

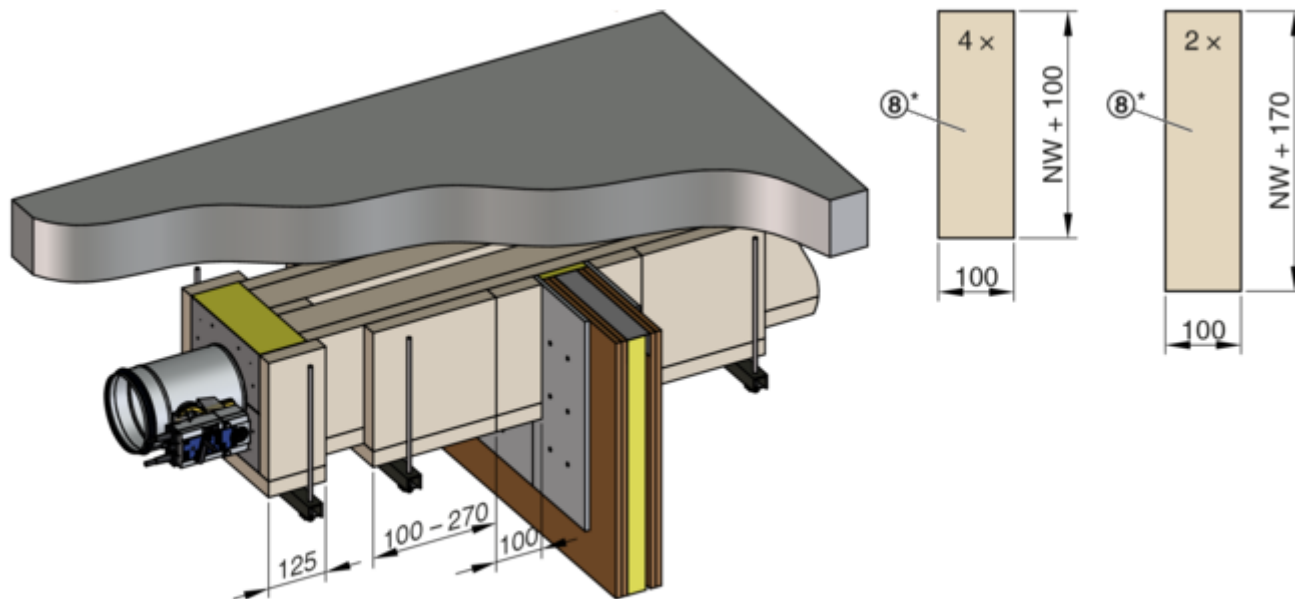


GR2799544, A

## Installation away from metal stud walls

Assembly - wall duct > Installation kit WE2 3-sided

22



GR2799544, A

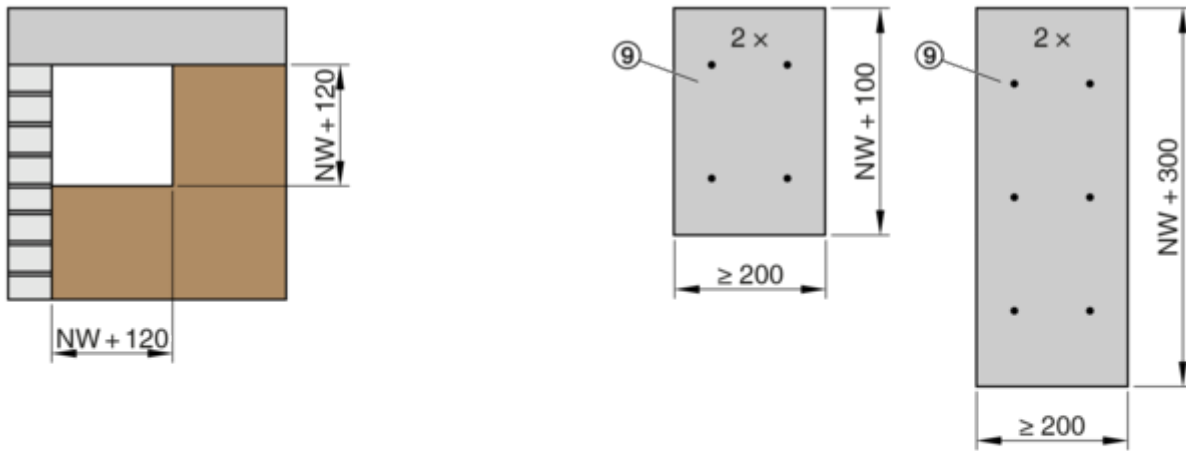
\* The panel blanks (8) from Fig. 16 (width 100 - 270 mm) and Fig. 22 (width 100 mm) may also be produced in one piece with a width of 200 - 370 mm if required.

# Installation away from metal stud walls

Assembly - wall duct > Installation kit WE2 2-sided

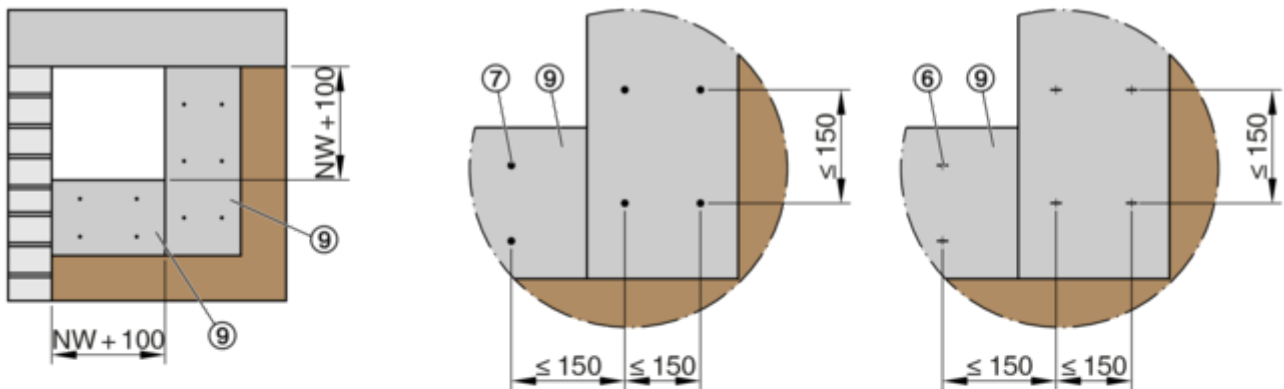
## 3.2.3 Installation kit WE2 2-sided

23



GR2806792, A

24

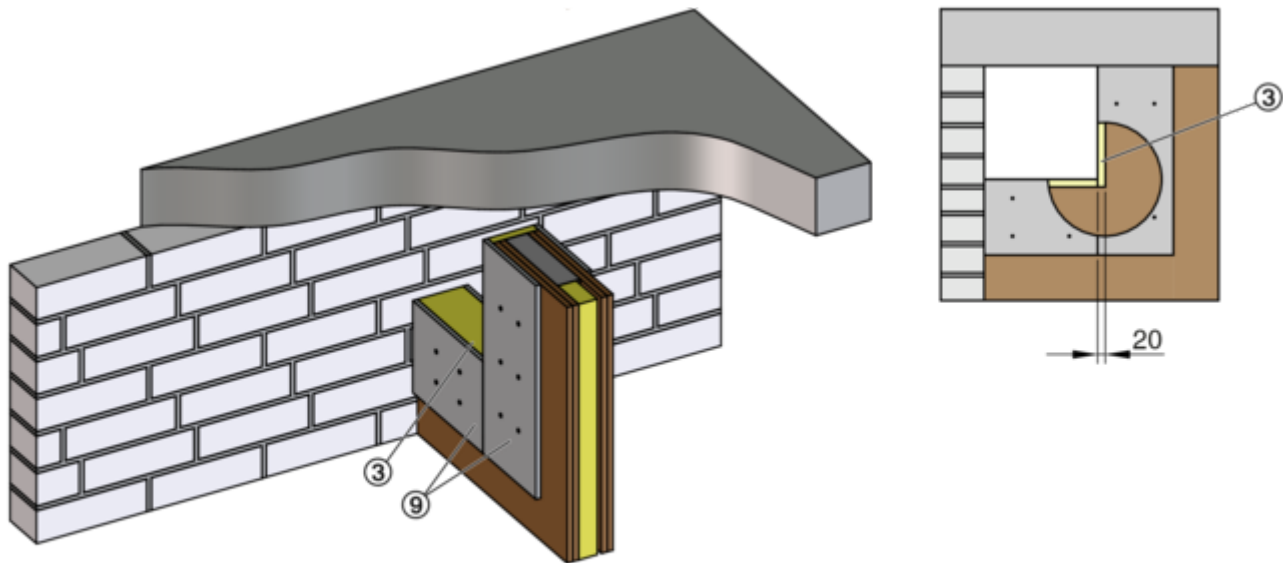


GR2806792, A

# Installation away from metal stud walls

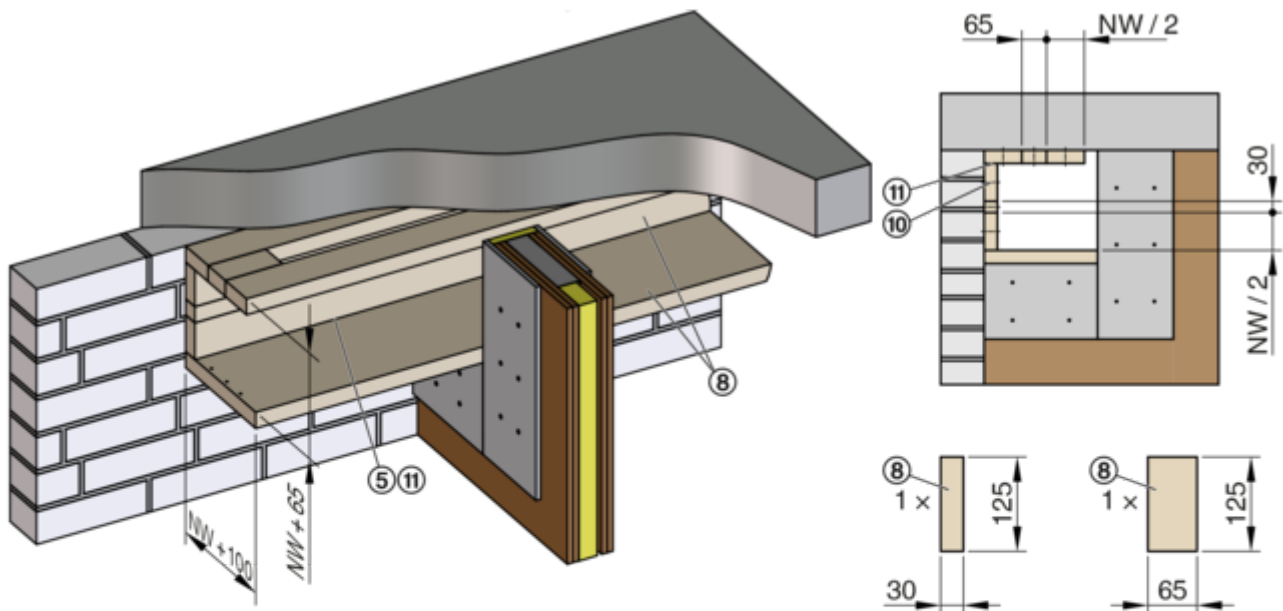
Assembly - wall duct > Installation kit WE2 2-sided

25



GR2806792, A

26

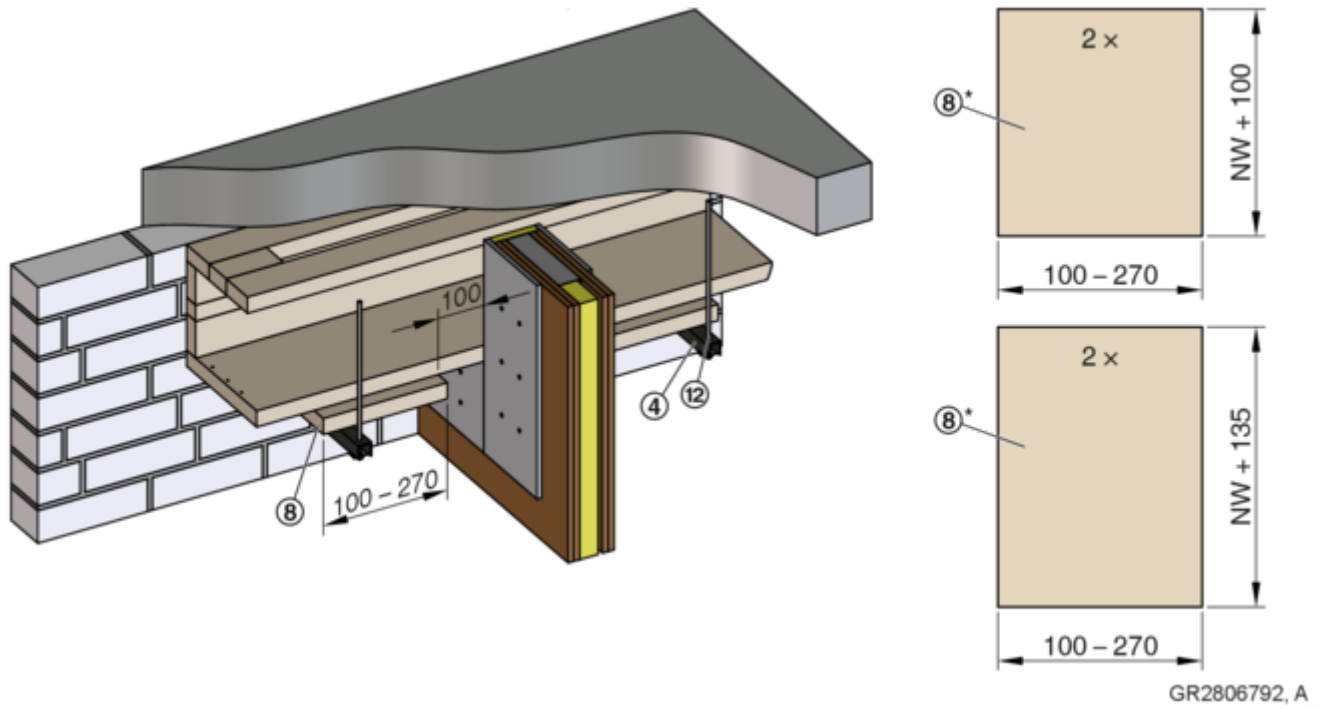


GR2806792, A

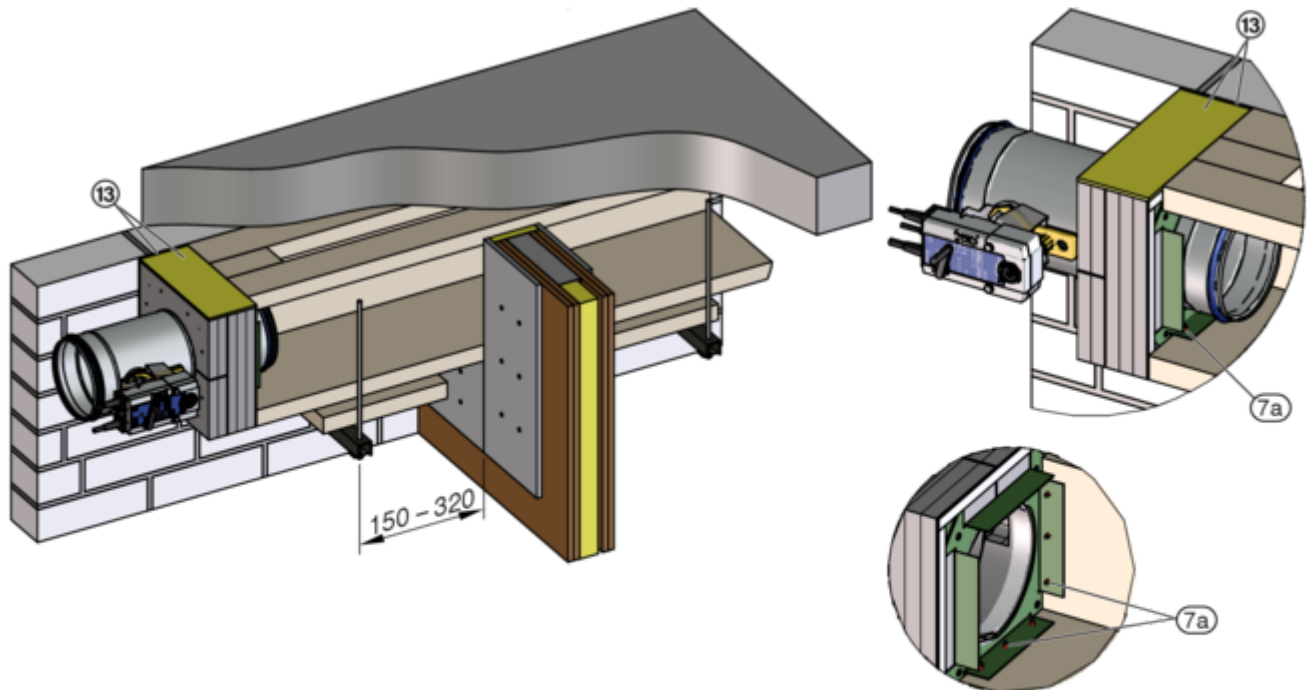
# Installation away from metal stud walls

Assembly - wall duct > Installation kit WE2 2-sided

27



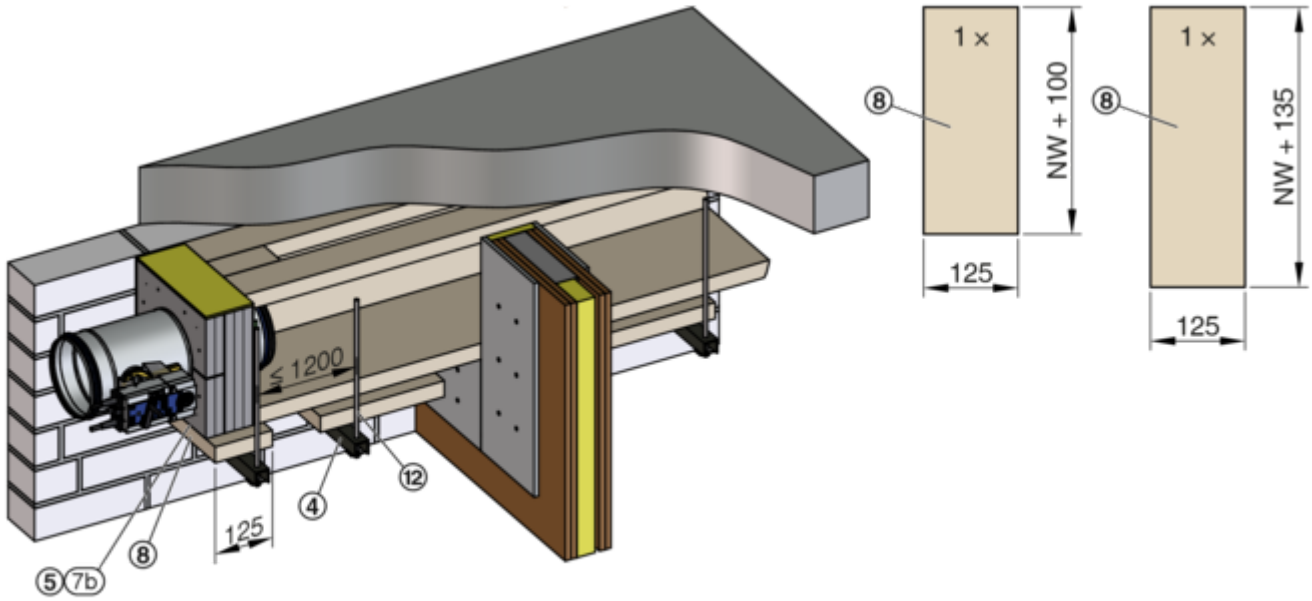
28



# Installation away from metal stud walls

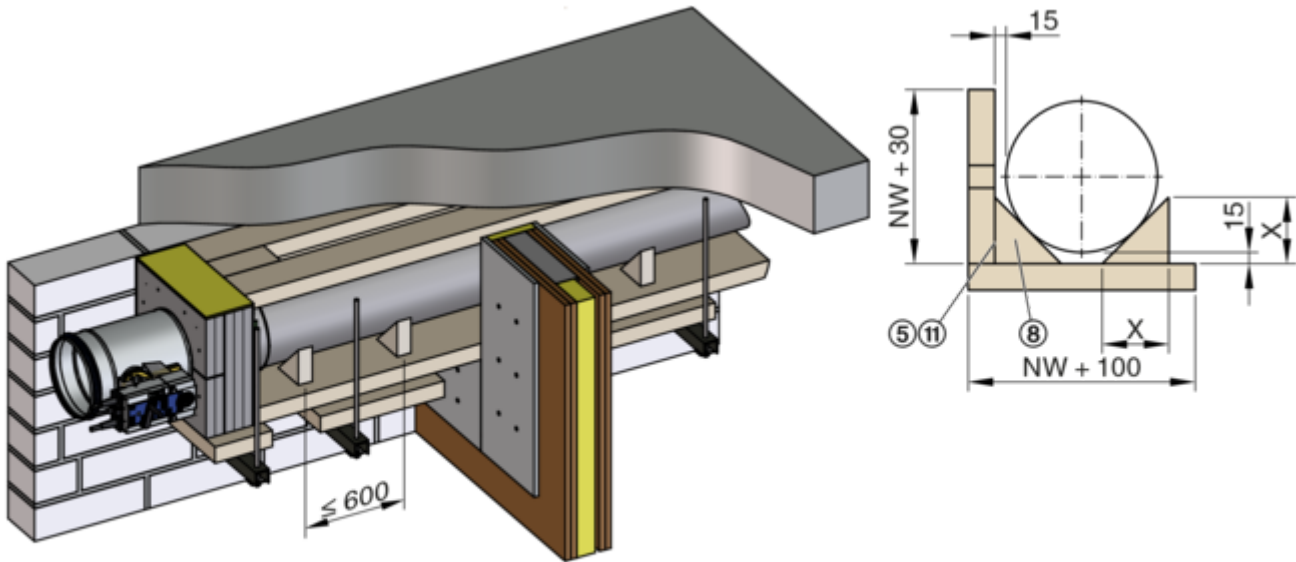
Assembly - wall duct > Installation kit WE2 2-sided

29



GR2806792, A

30



GR2806792, A

Support for air duct [mm]

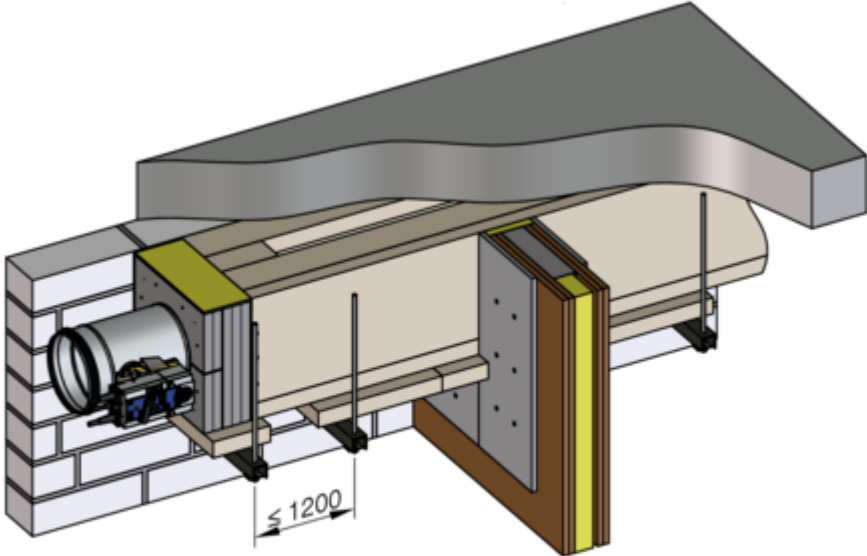
Nominal size	100	125	150	160	180	200	224	250	280	315
X	59	66	74	77	82	88	95	103	112	122



# Installation away from metal stud walls

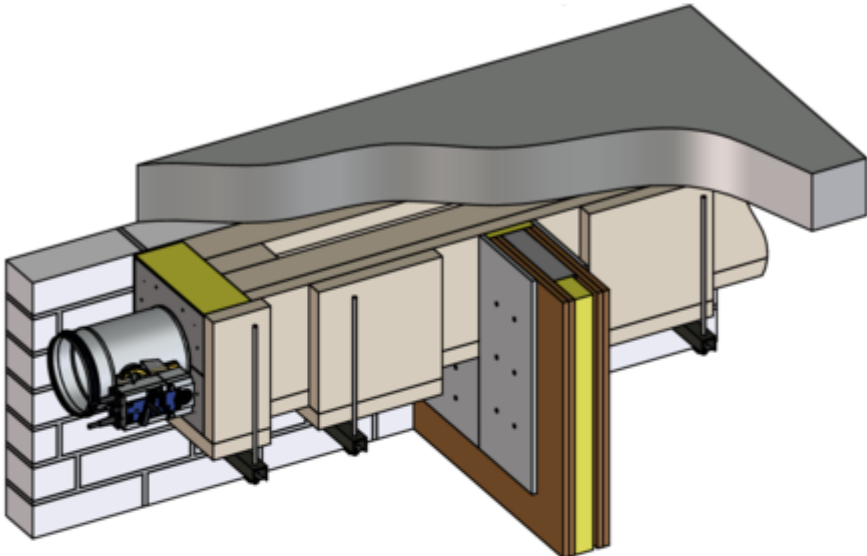
Assembly - wall duct > Installation kit WE2 2-sided

31



GR2806792, A

32

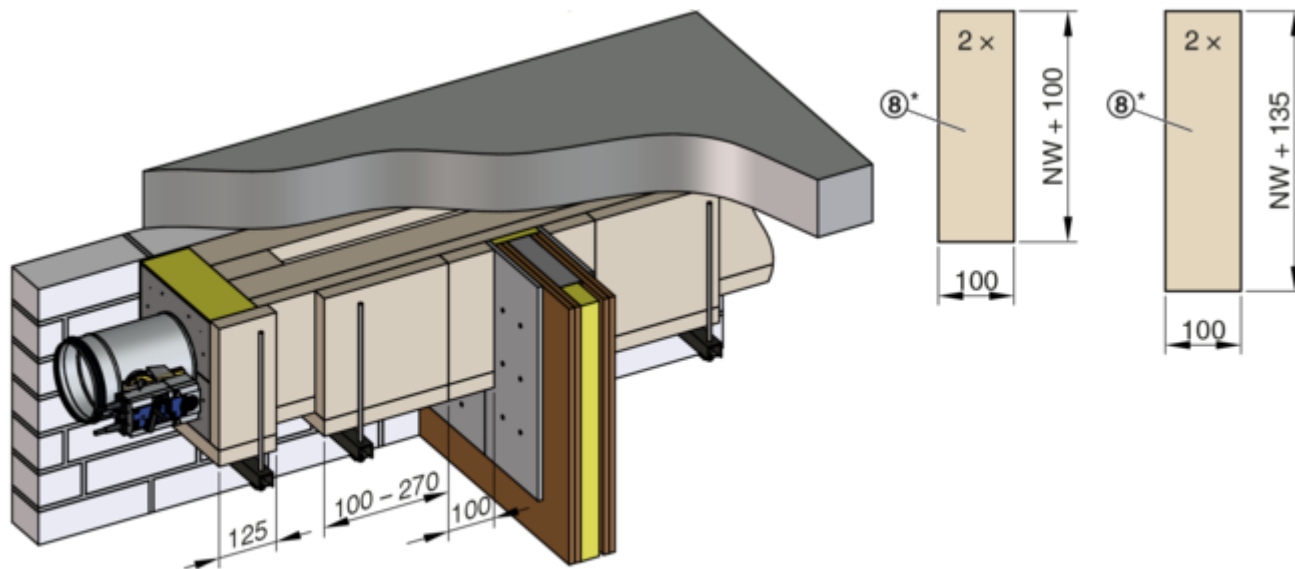


GR2806792, A

# Installation away from metal stud walls

Assembly - wall duct > Installation kit WE2 2-sided

33



GR2806792, A

\* The panel blanks (8) from Fig. 27 (width 100 - 270 mm) and Fig. 33 (width 100 mm) may also be produced in one piece with a width of 200 - 370 mm if required.

## 4 Index

### A

Assembly..... 3

### C

Connecting clip..... 3

Cordless screwdriver..... 5

### D

Drill..... 5

### F

Fire damper..... 2

### H

Half shell..... 3

Hammer..... 3

### I

Installation kit dimensions..... 2

Installation kit WE 2..... 2, 3

Installation side..... 2

### K

Kerafix sealing tape..... 3

### M

Metal stud wall..... 39, 40

### N

Nominal size..... 2

### O

Operating side..... 2

### S

Scope of delivery..... 2

Sheet metal cover plate..... 3

Solid wall..... 6, 7, 8, 23

Special tools..... 5

### T

Tacker..... 5

### W

Wall attachment..... 6, 8

Wall duct..... 7, 23, 39, 40

