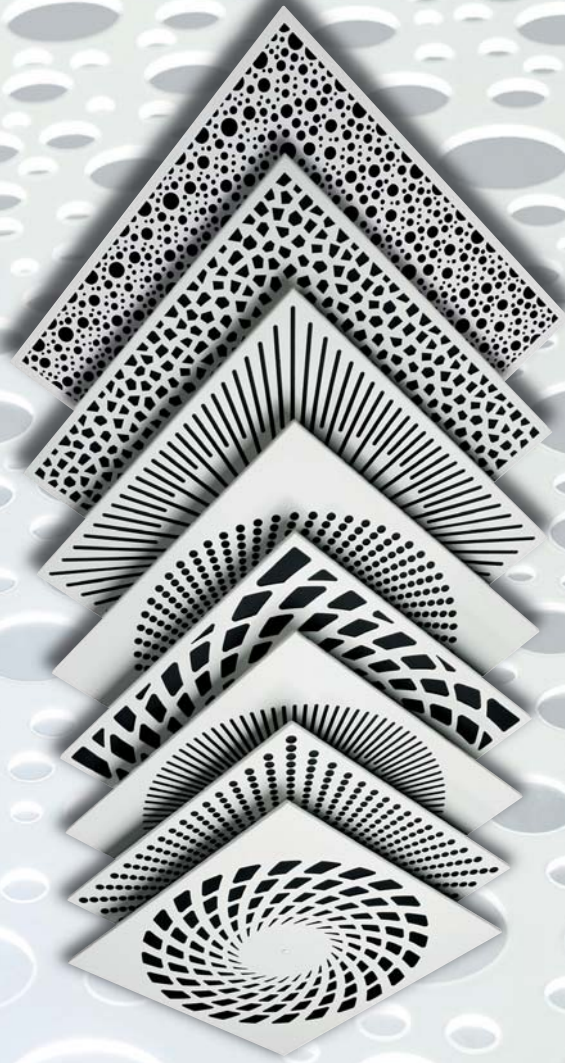


▶ Technology meets design ▶▶

Type XARTO[®]





Innovative design:
Plenum box with new damper blade, 3D air control blade and designer face plate



► Technology meets design ►►

TROX understands the art of competently handling air like no other company. For decades, TROX has been continually raising the bar by producing excellent products for the ventilation and air conditioning of buildings. The new type XARTO® diffusers offer the customer a wide range of possibilities thanks to their unique design.

TROX swirl diffusers from the type XARTO® range

Like all TROX products, the new XARTO® swirl diffusers meet the most demanding requirements in terms of technology, comfort and design. Whether it be classic, modern or flamboyant, – the various styles of the diffuser face enable owners and architects to achieve optimum integration in their design.

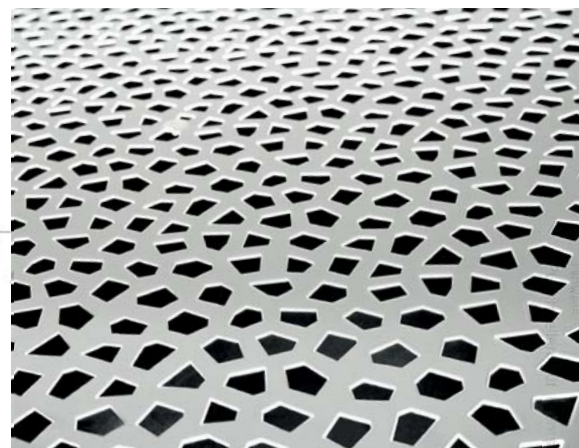
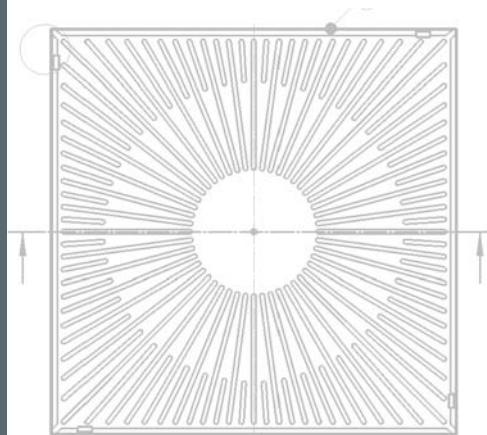
High-performance swirl generation with excellent levels of comfort

The combination of swirl unit, newly developed air distribution element and innovative plenum box provides high volume flow rates, a low sound power level and low differential pressure.

New 3D geometry of air control blades

The air control blades of the swirl unit have three-dimensionally profiled contours to create an efficient swirl. Hence, the air velocities and temperature differences in the occupied zone are very low, and the level of comfort is excellent.

A spigot with double lip seal provides a low leakage connection of the plenum box to the ducting, and a damper blade for flow rate balancing simplifies commissioning.





☒+ Square

➡ 90–275 l/s · 325–990 m³/h

◀▶ 600, 625 mm

XARTO® swirl diffuser

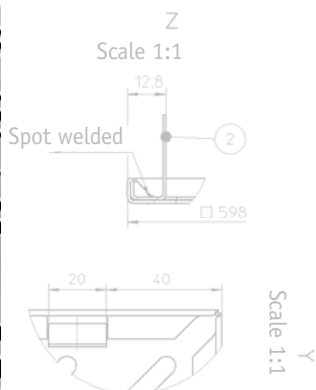
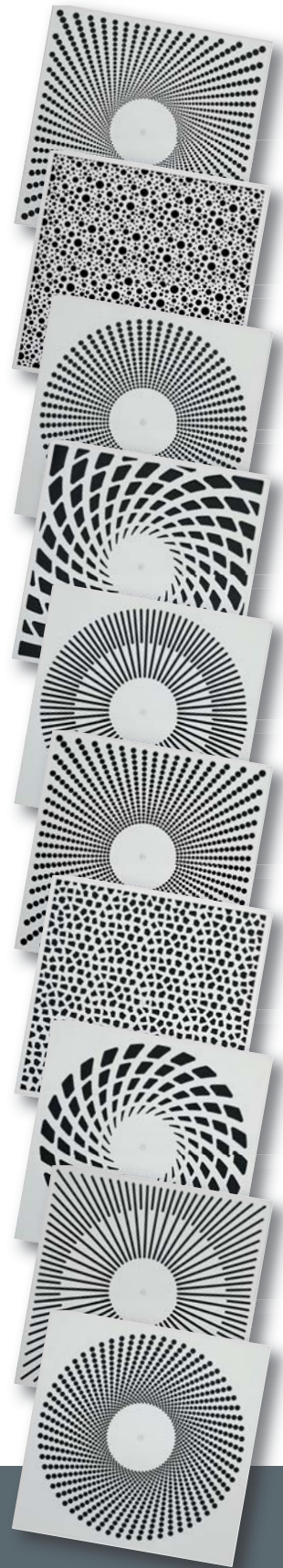
The XARTO® swirl diffusers with their designer steel face plates offer the opportunity for beauty and elegance.

This type provides design consultants with a large selection of refined designs so that every creative or architectural design concept can be achieved.

- Ten design variants for the most demanding aesthetic requirements
- High volume flow rates with a comparatively low sound power level
- Excellent levels of comfort as a result of low air velocities and low temperature differences in the occupied zone
- Plastic components are flame retardant V0 rated to UL 94

Optimised plenum box with newly developed air distribution element:

- Even supply air discharge from diffuser
- Acoustically optimised damper for flow rate balancing
- Spigot with double lip seal



Technology meets design:
With the type XARTO®,
TROX is demonstrating a
perfect symbiosis of
efficient technology and
sophisticated design.



TROX[®] TECHNIK

The art of handling air

TROX GmbH

Heinrich-Trox-Platz

47504 Neukirchen-Vluyn

Telephone +49 (0) 28 45 / 2 02-0

Telefax +49 (0) 28 45 / 2 02-2 65

www.trox.de

trox@trox.de