

Ventilation grilles for door and wall installation

Type AGS



Non-vision air transfer grilles, made of aluminium, with fixed horizontal blades

Ventilation grille with angled blades

- Nominal sizes 150 x 105 - 1500 x 985 mm
- Volume flow rate range 2 - 850 l/s or 7 - 3060 m³/h
- Grille face made of aluminium with powder coat finish
- 30 mm wide front border 30 mm wide front border
- Countersunk holes

Optional equipment and accessories

- Grille face in RAL CLASSIC colours
- Matching rear frame for door installation

Type		Page
AGS	General information	AGS – 2
	Order code	AGS – 4
	Dimensions and weight	AGS – 5
	Specification text	AGS – 7

Description

Application

- Type AGS ventilation grille for air transfer applications
- For wall and door installation
- Non-vision grille for the covering of various types of openings

Variants

- Single grille
- T: Single grille with matching rear frame for door installation

Nominal sizes

- Nominal length: 150mm upto 1500mm (25mm increments)
- Nominal height: 105 up to 985mm (20mm increments)

Special characteristics

- Fixed blades
- Front border with countersunk holes
- Optional matching rear frame for door installation

Parts and characteristics

- Rectangular profile border sections
- Angle-shaped horizontal blades
- Factory fitted perimeter seal
- Matching rear frame for door installation, optional

Materials and surfaces

- Border and blades made of aluminium
- P3: Border and blades powder-coated, RAL9010:20%
- P6: Border and blades powder-coated, RAL CLASSIC colour. Gloss level: 30%

Installation and commissioning

- Preferably for wall and door installation
- Fix the border with screws
- Fix the matching rear frame (if any) with screws

Standards and guidelines

- Sound power level of the air-regenerated noise measured according to EN ISO 5135

Maintenance

- Maintenance-free as construction and materials are not subject to wear
- Inspection and cleaning to VDI 6022

Technical data

Nominal sizes	150 × 105 to 1500 × 985 mm
Minimum volume flow rate	2 – 305 l/s or 7 – 1098 m ³ /h
Maximum volume flow rate, with L_{WA} max. 40 dB(A) without attachments	13 – 856 l/s or 46 – 3060 m ³ /h

Effective free area

H	L [mm]								
	200	250	300	350	400	450	500	550	600
mm	A_{eff} m ²								
105	0.005	0.007	0.008	0.010	0.011	0.013	0.014	0.016	0.017
145	0.009	0.011	0.014	0.016	0.019	0.021	0.024	0.026	0.029
205	0.014	0.018	0.022	0.026	0.030	0.034	0.038	0.042	0.046
245		0.022	0.027	0.032	0.037	0.042	0.047	0.052	0.057
305			0.035	0.042	0.048	0.055	0.061	0.068	0.074
345				0.048	0.056	0.063	0.071	0.078	0.086
405					0.067	0.076	0.085	0.094	0.103
445						0.084	0.094	0.105	0.115
505							0.109	0.120	0.132
545								0.131	0.143
605									0.160

Effective free area

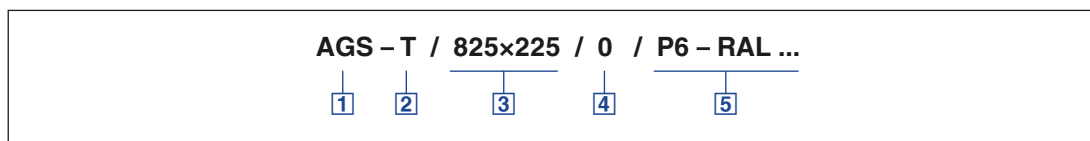
H	L [mm]								
	650	700	750	800	850	900	950	1000	1050
mm	A _{eff} m ²								
105	0.019	0.020	0.022	0.023	0.025	0.026	0.028	0.029	0.031
145	0.031	0.034	0.036	0.039	0.041	0.044	0.046	0.049	0.051
205	0.050	0.054	0.058	0.062	0.066	0.070	0.074	0.078	0.082
245	0.062	0.067	0.072	0.077	0.082	0.087	0.092	0.097	0.102
305	0.081	0.087	0.094	0.100	0.107	0.113	0.120	0.126	0.133
345	0.093	0.101	0.108	0.116	0.123	0.131	0.138	0.146	0.153
405	0.112	0.121	0.130	0.139	0.148	0.157	0.166	0.175	0.184
445	0.125	0.135	0.145	0.155	0.165	0.175	0.185	0.195	0.205
505	0.143	0.155	0.166	0.178	0.189	0.201	0.212	0.224	0.235
545	0.156	0.168	0.181	0.193	0.206	0.218	0.231	0.243	0.256
605	0.174	0.188	0.202	0.216	0.230	0.244	0.258	0.272	0.286
645	0.187	0.202	0.217	0.232	0.247	0.262	0.277	0.292	0.307
705		0.222	0.238	0.255	0.272	0.288	0.305	0.321	0.338
745			0.253	0.270	0.288	0.306	0.323	0.341	0.358
805				0.294	0.313	0.332	0.351	0.370	0.389
845					0.329	0.349	0.369	0.389	0.409
905						0.375	0.397	0.418	0.440
945							0.415	0.438	0.460
985								0.457	0.481

Effective free area

H	L [mm]								
	1100	1150	1200	1250	1300	1350	1400	1450	1500
mm	A _{eff} m ²								
105	0.032	0.034	0.035	0.037	0.038	0.040	0.041	0.043	0.044
145	0.054	0.056	0.059	0.061	0.064	0.066	0.069	0.071	0.074
205	0.086	0.090	0.094	0.098	0.102	0.106	0.110	0.114	0.118
245	0.107	0.112	0.117	0.122	0.127	0.132	0.137	0.142	0.147
305	0.139	0.146	0.153	0.159	0.166	0.172	0.179	0.185	0.192
345	0.161	0.168	0.176	0.183	0.191	0.198	0.206	0.214	0.221
405	0.193	0.202	0.211	0.220	0.229	0.238	0.247	0.256	0.265
445	0.215	0.225	0.235	0.245	0.255	0.265	0.275	0.285	0.295
505	0.247	0.258	0.270	0.281	0.293	0.304	0.316	0.327	0.339
545	0.268	0.281	0.293	0.306	0.318	0.331	0.343	0.356	0.368
605	0.300	0.314	0.328	0.343	0.357	0.371	0.385	0.399	0.413
645	0.322	0.337	0.352	0.367	0.382	0.397	0.412	0.427	0.442
705	0.354	0.371	0.387	0.404	0.420	0.437	0.453	0.470	0.486
745	0.376	0.393	0.411	0.428	0.446	0.463	0.481	0.498	0.516
805	0.408	0.427	0.446	0.465	0.484	0.503	0.522	0.541	0.560
845	0.429	0.449	0.469	0.489	0.509	0.529	0.549	0.569	0.589
905	0.461	0.483	0.504	0.526	0.548	0.569	0.591	0.612	0.634
945	0.483	0.505	0.528	0.550	0.573	0.595	0.618	0.641	0.663
985	0.504	0.528	0.551	0.575	0.598	0.622	0.645	0.669	0.693

Order code

AGS



1 Type

AGS Single grille

2 Attachments

No entry: without (grille face only)

T Matching rear frame for door installation

3 Nominal size [mm]

L x H

4 Installation type

0 Screwfix (counterpunch border)

X Without (border fixing by others)

5 Exposed surface

P3 Powder-coated RAL9010:20% gloss

P6 Powder-coated RAL CLASSIC colour
Gloss level: 30%

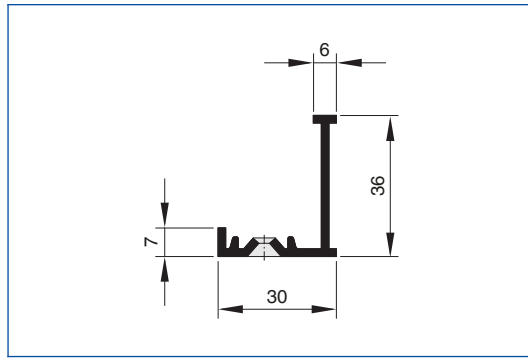
Order example

AGS-T/825x225/0/P3

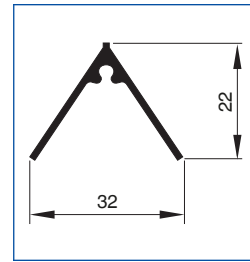
Attachments	Matching rear frame
Nominal size	825 x 225 mm
Installation type	Screwfix (counterpunch border)
Exposed surface	RAL9010:20% gloss

Front border and blade

Front border, 30 mm

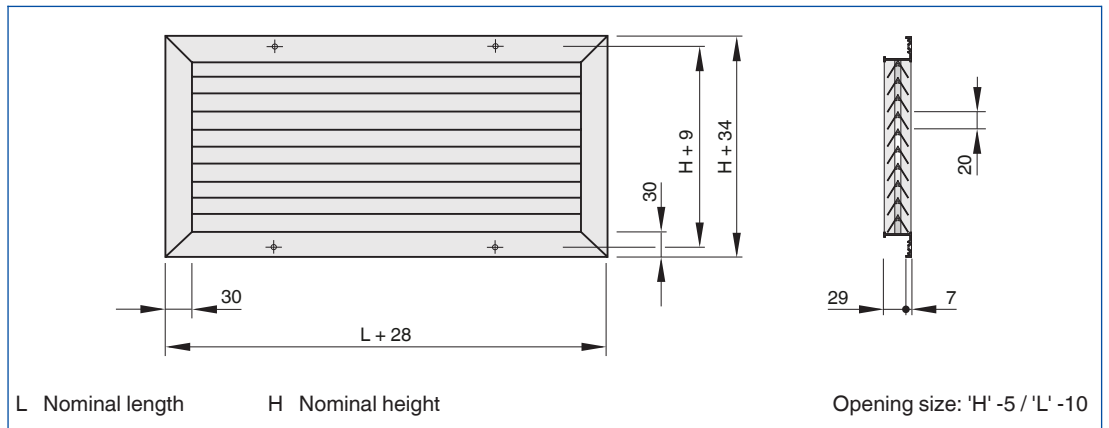


Blade



Single grille

AGS, 30 mm wide front border

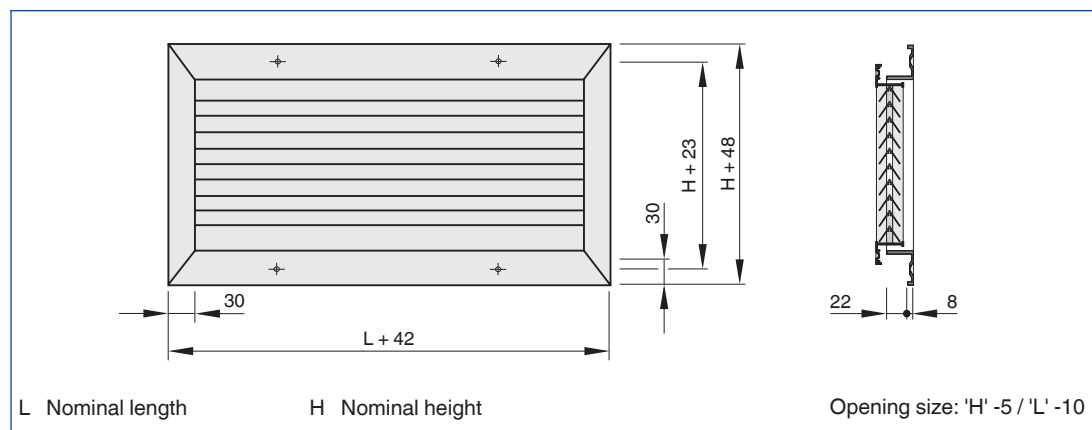


Weights

H	L [mm]							
	200	400	600	800	1000	1200	1400	1500
mm	m							
	kg							
105	0.4	0.7	1.1	1.4	1.7	2.0	2.3	2.5
145	0.5	0.9	1.4	1.8	2.2	2.6	3.0	3.2
205	0.7	1.2	1.8	2.4	2.9	3.5	4.1	4.3
245		1.4	2.1	2.8	3.4	4.1	4.7	5.1
305		1.8	2.6	3.4	4.2	5.0	5.8	6.2
345		2.0	2.9	3.8	4.7	5.6	6.5	6.9
405		2.3	3.3	4.3	5.4	6.4	7.5	8.0
445			3.6	4.7	5.9	7.0	8.2	8.2
505			4.1	5.3	6.6	7.9	9.2	9.8
545			4.4	5.7	7.1	8.5	9.9	10.6
605			4.8	6.3	7.9	9.4	10.9	11.7
645				6.7	8.3	10.0	11.6	12.4
705				7.3	9.1	10.8	12.6	13.5
745				7.7	9.6	11.4	13.3	14.2
805				8.3	10.3	12.3	14.3	15.3
845					10.8	12.9	15.0	16.1
905					11.6	13.8	16.0	17.2
945					12.0	14.4	16.7	17.9
985					12.5	15.0	17.4	18.6

Weights apply to ventilation grilles without attachments

AGS-T, 30 mm wide matching rear frame



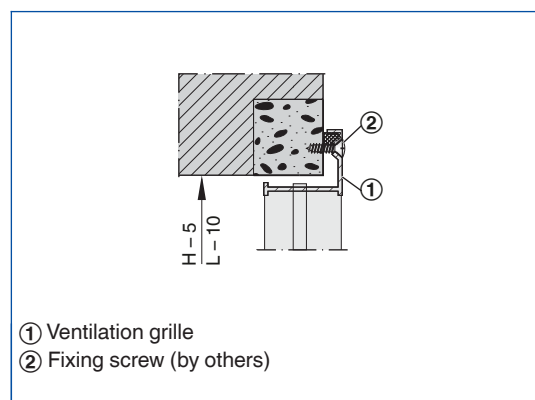
Matching rear frame

Weights

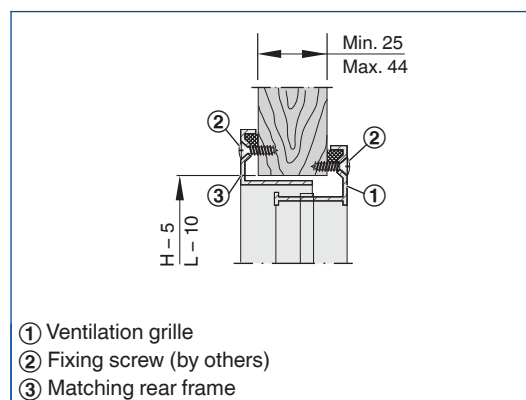
H	L [mm]							
	200	400	600	800	1000	1200	1400	1500
mm	m							
	kg							
105	0.6	1.1	1.5	2.0	2.4	2.9	3.3	3.5
145	0.8	1.3	1.9	2.4	2.9	3.5	4.0	4.3
205	1.0	1.7	2.3	3.0	3.7	4.4	5.1	5.4
245		1.9	2.7	3.4	4.2	5.0	5.8	6.2
305		2.2	3.1	4.1	5.0	5.9	6.8	7.3
345		2.5	3.5	4.5	5.5	6.5	7.6	8.1
405		2.8	4.0	5.1	6.3	7.5	8.6	9.2
445			4.3	5.5	6.8	8.1	9.3	10.0
505			4.8	6.2	7.6	9.0	10.4	11.1
545			5.1	6.6	8.1	9.6	11.1	11.8
605			5.6	7.2	8.9	10.5	12.2	13.0
645				7.6	9.4	11.1	12.9	13.7
705				8.3	10.2	12.0	13.9	14.9
745				8.7	10.7	12.7	14.6	15.6
805				9.3	11.5	13.6	15.7	16.8
845					12.0	14.2	16.4	17.5
905					12.7	15.1	17.5	18.7
945					13.3	15.7	18.2	19.4
985					13.8	16.3	18.9	20.2

Weights apply to ventilation grilles without attachments

Ventilation grille AGS with screw fixing, without installation subframe



Ventilation grille AGS-T, with screw fixing and matching rear frame



Standard text

Non-vision ventilation grille made of aluminium, rectangular, suitable for air transfer applications. Rectangular profile border. Preferably for wall and door installation. Ready-to-install component which consists of a border and fixed horizontal blades. Fixing holes for screw-fixing the grille to the installation surface. Sound power level of the air-regenerated noise measured according to EN ISO 5135.

Special characteristics

- Fixed blades
- Front border with countersunk holes
- Optional matching rear frame for door installation

Materials and surfaces

- Border and blades made of aluminium
- P3: Border and blades powder-coated, RAL9010:20%
- P6: Border and blades powder-coated, RAL CLASSIC colour. Gloss level: 30%

Technical data

- Nominal sizes: 150 × 105 to 1500 × 985 mm
- Minimum volume flow rate (supply air): 2 – 305 l/s or 7 – 1098 m³/h
- Maximum volume flow rate (supply air), at L_{WA} max. 40 dB(A) without attachments: 13 – 856 l/s or 46 – 3060 m³/h

Sizing data

- \dot{V} _____ [l/s]
- Δp_t _____ [Pa]
- L_{WA} Air-regenerated noise _____ [dB(A)]

Order options

1 Type

AGS Single grille

2 Attachments

- No entry: without (grille face only)
- T** Matching rear frame for door installation

3 Nominal size [mm]

L × H

4 Installation type

- 0** Screwfix (counterpunch border)
- X** Without (border fixing by others)

5 Exposed surface

- P3** Powder-coated RAL9010:20% gloss
- P6** Powder-coated RAL CLASSIC colour. Gloss level: 30%