

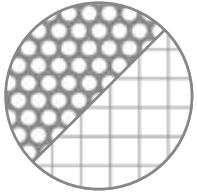
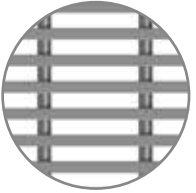


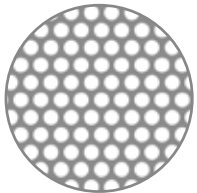
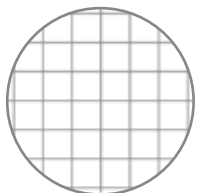
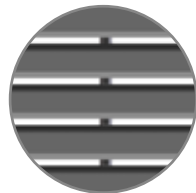


# TROX X-GRILLE modular













## INSET CONSTRUCTION STYLE

<b>H – Horizontal blades</b>	<b>V – Vertical blades</b>	<b>P – Perforated plate (pattern)</b>			
					

## INSET CONSTRUCTION

<b>F0 – Fixed blade 0°</b> <b>F15 – Fixed blade 15°</b> Blade pitch 12.5 mm	<b>P0 – Fixed blade 0°</b> <b>P15 – Fixed blade 15°</b> Blade pitch 16.7 mm	<b>M0 – Adjustable blade</b> Blade pitch 16.7 mm	<b>R – Circular holes</b> Perforated sheet	<b>EG – Square mesh</b>	<b>F45 – Fixed blade 45°</b> Blade pitch 20 mm
					

## FRONT BORDER

<b>S – Small</b> Border width 7 mm	<b>M – Medium</b> Border width 14 mm	<b>L – Large</b> Border width 20 mm	<b>H – Concealed</b> Border width 20 mm	<b>C – Curved</b> Border width 27 mm	<b>A – Angled</b> Border width 27 mm
 	 	 	 	 	 

## MOUNTING

<b>A – Without fixing</b>	<b>VS – Concealed screw fixing</b>	<b>SP – Concealed screw fixing without installation subframe</b>	<b>HS – Angle for concealed screw fixing</b>	<b>CF – Clamp fixing</b>	<b>A11 – Visible screw fixing</b>
