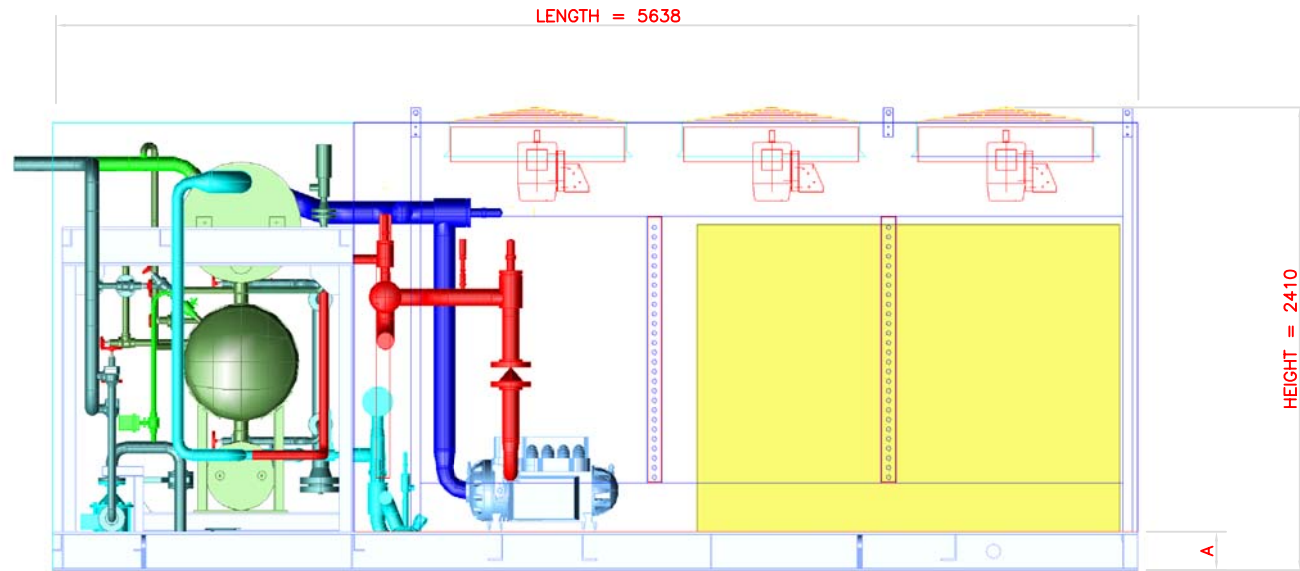
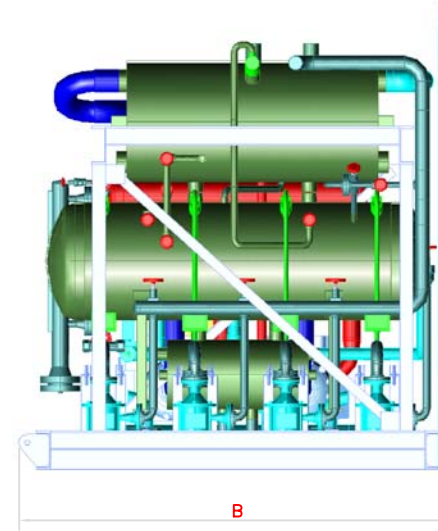


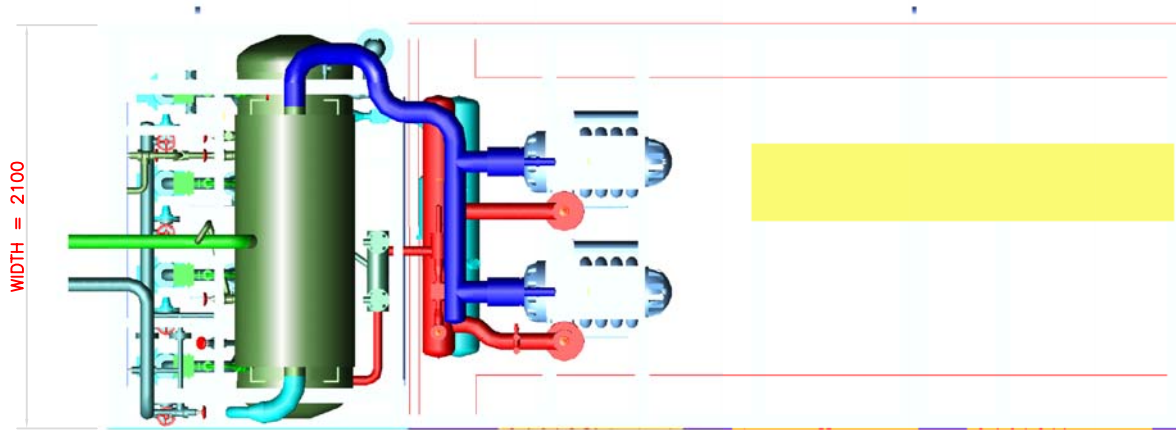
THIS DRAWING IS NOT TO BE COMMUNICATED DISCLOSED COPIED OR PUBLISHED EXCEPT AS EXPRESSLY AUTHORISED IN WRITING BY TROX (UK) LTD



ELEVATION



END ELEVATION



PLAN

	300 kW	500 kW	750 kW
DIMENSION	mm	mm	mm
HEIGHT	2410	3100	3600
WIDTH	2100	2300	3000
LENGTH	5650	7200	8700
A	200	200	200
B	2275	2475	3175

NOTES:-

1. ALL DIMENSIONS IN mm UNLESS OTHERWISE STATED

<p>UNLESS OTHERWISE STATED</p> <p>3RD ANGLE PROJECTION</p> <p>GENERAL TOLERANCE ASSEMBLY DIMENSIONS TO 2000MM ±1.5MM MATERIALS TO TROX STANDARD SPECIFICATION</p> <p>TROX® TECHNIK</p>		DRAWN	KCH	DATE	27/01/2006	DESCRIPTION	COOLairpac UNIT ARRANGEMENT			
		PROJECT No.	-Star no 9000-006		CONTRACT No.		-	PROJECT		
REV	DATE	DESCRIPTION	TROX (UK) LTD-CAXTON WAY, THETFORD, NORFOLK IP24 3SQ TEL - 01842 754545 : FAX-01842 763051 : e-mail trox@troxuk.co.uk				SCALE	1:1	DWG No.	260545